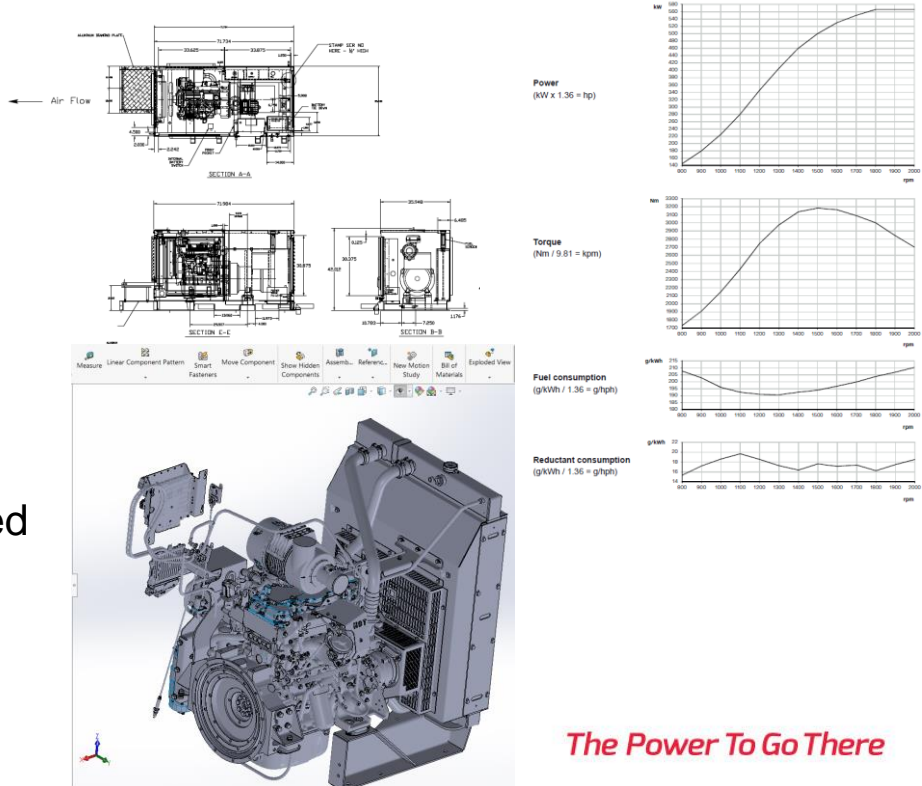


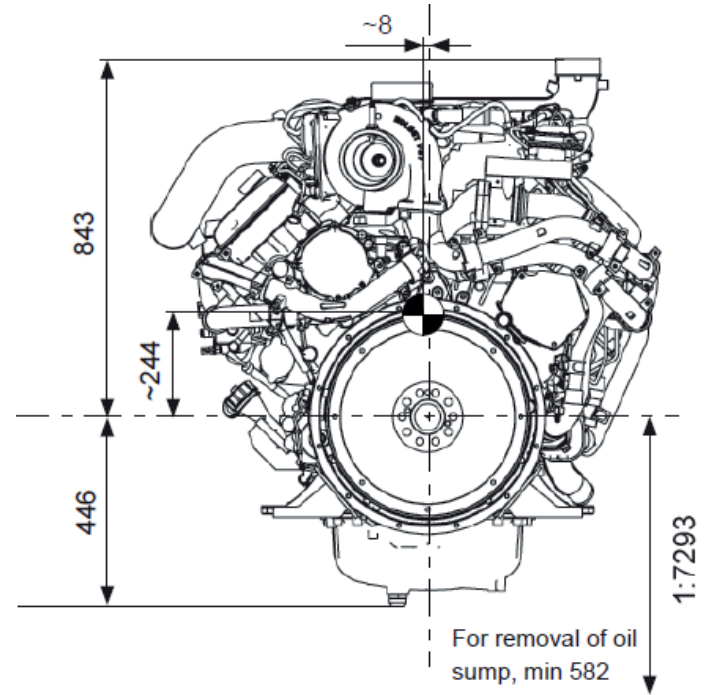
# Engineering Department Proficiencies

- Aid in the sales process:
  - Well versed in each engine line
  - Ability to provide “up front” data:
    - Power curve alignment
    - Fuel consumption estimates
    - 2D & 3D technical drawings (Including overlays)
    - Expected costs to maintain based on anticipated usage



# Engineering Department Proficiencies

- Aid in the customer's design process:
  - Use factory specified guidelines to help customers design for successful applications
  - Utilize factory-provided application review training to prevent known issues



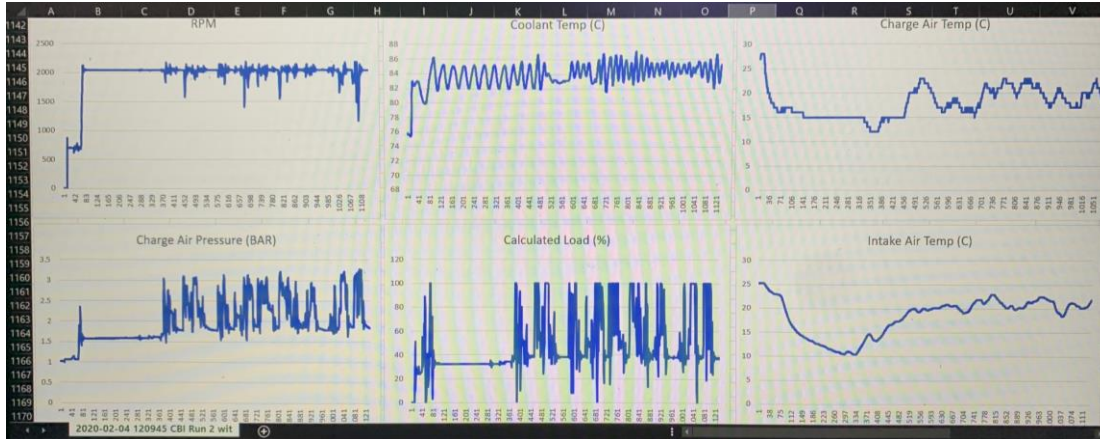
# Engineering Department Proficiencies

- First article assembly/prototyping is handled by the engineering department in house.
- Our well-furnished shop allows for light fabrication and most modifications to be done in house.
- First article assembly items:
  - Engine suspension (custom mounts)
  - Driven components mated
  - Complete plumbing (charged air circuit, cooling circuit, fuel feed and return)
  - Complete electrical systems



# Engineering Department Proficiencies

- Perform factory required application reviews to ensure optimal engine life, efficiency, and warranty eligibility





# Engineering Department Proficiencies

- Work internally with the Production Team to ensure documentation of all build processes and quality control checks.

#### OIL DRAIN KIT

- Remove oil drain plug and drain engine oil
- Remove the 2 screws on the engine block supporting the Oil Fill Hose and Oil Dip Stick



- Assemble the Oil Drain Support Bracket (2 pieces) using M8 hardware and leave loose (M8x25mm, Flat, Lock, Nut)
- Loosely install the oil drain fitting pictured below in the short bottom piece of the bracket, do not tighten nut until after all fittings have been attached together



- Install assembled bracket using the original hardware



- Replace oil drain plug with oil drain kit

