



## 27C BASE SYSTEM 2.1

9-series, 13-series, 16-series

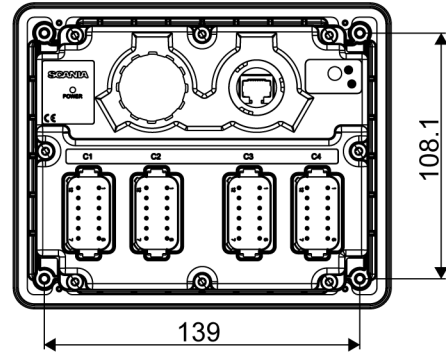
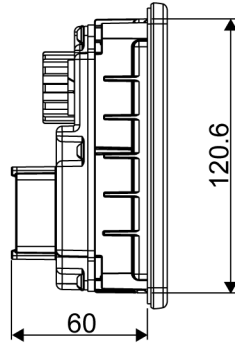
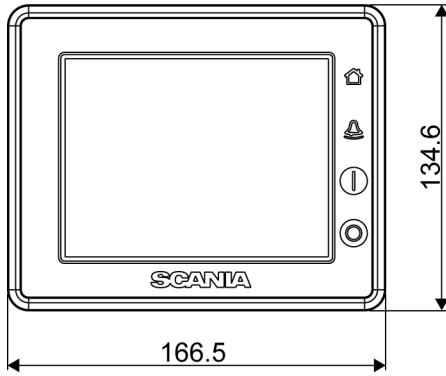
-01 O With 3 m cable

Drawing: 2 135 526

-02 O With 6 m cable

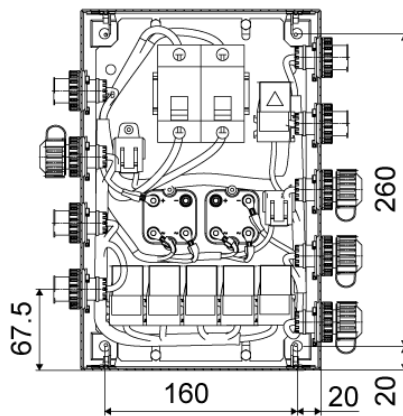
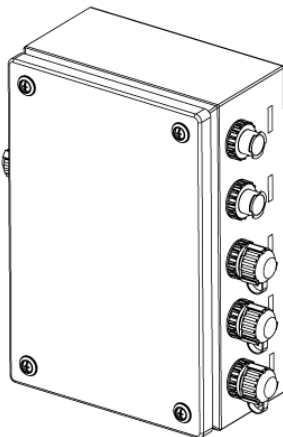
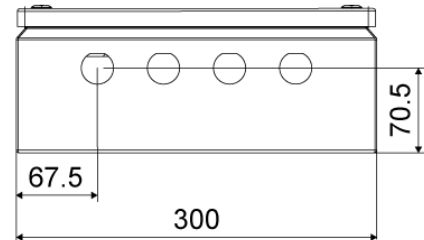
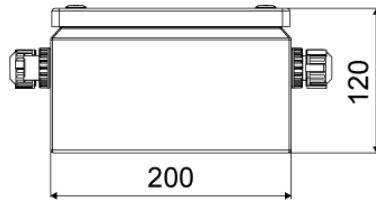
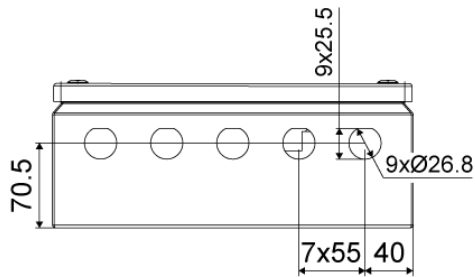
Drawing: 2 135 526

### Main Display



16:6491

### Junction box



16:6487