



## **NAVY Evo User Manual**

### **Navy Evo Bedienungsanleitung**

2021.08 Version 1.2

Copyright © 2021 ePropulsion. All Rights Reserved



## Acknowledgement

---

Thanks for choosing ePropulsion products, your trust and support in our company are sincerely appreciated. We are dedicated to providing high-performance electric outboards, electric outboards, sup/kayak motors, reliable lithium batteries and accessories.

Welcome to visit [www.epropulsion.com](http://www.epropulsion.com) and contact us if you have any concerns.

## Using This Manual

---

Before use of the product, please read this user manual thoroughly to understand the correct and safe operations. By using this product, you hereby agree that you have fully read and understood all contents of this manual. ePropulsion accepts no liability for any damage or injury caused by operations that contradict this manual.

Due to ongoing optimization of our products, ePropulsion reserves the rights of constantly adjusting the contents described in the manual. ePropulsion also reserves the intellectual property rights and industrial property rights including copyrights, patents, logos and designs, etc.

This manual is subject to update without prior notice, please visit our website [www.epropulsion.com](http://www.epropulsion.com) for the latest version. If you find any discrepancy between your products and this manual, or should you have any doubts concerning the product or the manual, please visit [www.epropulsion.com](http://www.epropulsion.com).

ePropulsion reserves the rights of final interpretation of this manual.

This manual is multilingual, in case of any discrepancy in the interpretation of different language versions, the English version shall prevail.

## Symbols

---

The following symbols will help to acquire some key information.



Important instructions or warnings



Useful information or tips

# Product Identification

---

Below picture indicates the serial numbers of NAVY Evo. Please note the position of the serial numbers and record them for access to warranty service and other after-sale services.

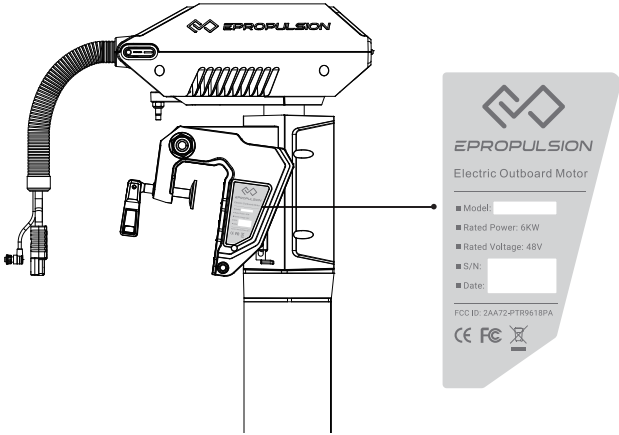


Figure 0-1

# Table of Contents

---


<b>Acknowledgement</b> .....	<b>1</b>
<b>Using This Manual</b> .....	<b>1</b>
<b>Symbols</b> .....	<b>1</b>
<b>Product Identification</b> .....	<b>2</b>
<b>1 Product Overview</b> .....	<b>6</b>
1.1 In the Package .....	6
1.2 Parts and Diagram.....	8
1.3 Specifications .....	9
1.4 Important Notes .....	10
1.5 Declaration of Conformity.....	11
<b>2 Preparations</b> .....	<b>12</b>
2.1 Selecting the Battery .....	12
2.2 Selecting and Mounting the Propeller .....	13
<b>3 Mounting the Outboard Motor</b> .....	<b>15</b>
3.1 Position of Mounting.....	15
3.2 Mounting the Outboard .....	16
3.3 Mounting the Steering System .....	17
3.4 Mounting the Evo Tiller .....	17
<b>4 Connecting the Battery</b> .....	<b>19</b>
4.1 Connecting a 48V Battery .....	19
4.2 Connecting E Series Batteries .....	20
4.3 Batteries in Series/Parallel .....	22
<b>5 Evo Remote Control/Evo Tiller</b> .....	<b>23</b>
5.1 Display Panel .....	23
5.2 Charging the Evo Remote Control .....	28
5.2.1 Charging by Solar Power .....	28
5.2.2 Charging by Wired Connection .....	28
5.3 Power Adjusting .....	30
5.3.1 Power Adjusting for Evo Control System .....	30
5.3.2 Recalibration .....	31

- 5.4 Use of Kill Switch..... 32
- 5.5 Use of Safety Wristband ..... 33
  - 5.5.1 Pairing Safety Wristband with Evo Control System ..... 33
  - 5.5.2 Man Overboard Protection ..... 33
  - 5.5.3 Emergency Stop..... 33
- 5.6 Pairing Evo Control System with the Outboard ..... 34
- 5.7 Hydro Generation Function ..... 36
- 5.8 Warning Messages..... 37
- 6 Configurations ..... 39**
  - 6.1 Preference Settings ..... 39
  - 6.2 Battery Configuration ..... 39
- 7 Checklist before Use..... 42**
- 8 Starting the Outboard ..... 42**
- 9 Stopping the Outboard..... 43**
- 10 Trim Angle Adjusting ..... 44**
- 11 Anti-grounding Mode..... 46**
- 12 Thread the communication cable into the bellow ..... 47**
- 13 Maintenance..... 49**
  - 13.1 Notes..... 49
  - 13.2 Maintenance Time Table ..... 49
  - 13.3 Propeller Maintenance..... 50
  - 13.4 Replacing the Anode ..... 50
- 14 Transportation and Storage ..... 52**
  - 14.1 Transport..... 52
  - 14.2 Placement..... 52
  - 14.3 Storage..... 52
- 15 Emergency Situations ..... 53**
  - 15.1 Collision ..... 53
  - 15.2 Sodden Outboard ..... 53
  - 15.3 Low Battery Level..... 53
  - 15.4 Over-temperature Protection ..... 53

**16 Warranty ..... 54**  
16.1 Warranty Policies..... 54  
16.2 Out of Warranty ..... 55  
16.3 Warranty Claim Procedures..... 55

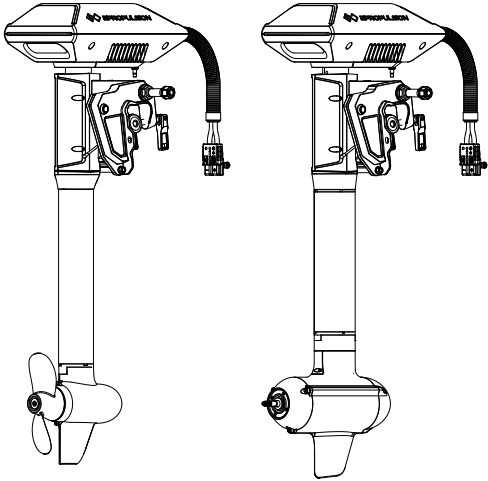
# 1 Product Overview

NAVY 6.0 Evo is a 6kW electric outboard motor, and NAVY 3.0 Evo is a 3kW electric outboard motor.

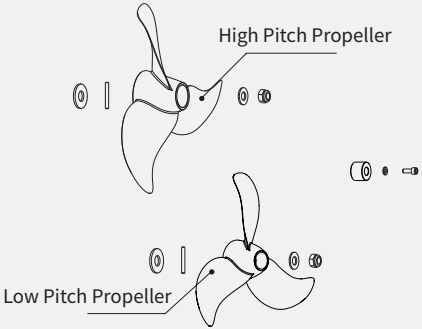
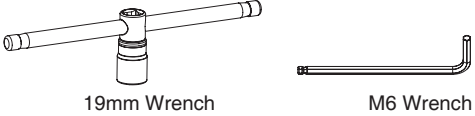
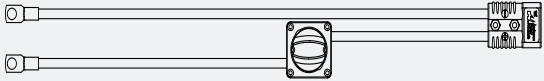
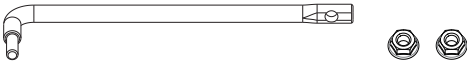


 Evo control system is necessary when operating the outboard motor, but it is not included in the NAVY Evo. It need be purchased separately by users from ePropulsion authorized dealers.


## 1.1 In the Package

Unpack the package and check if there is any damage caused during transport. Check all the items inside the package against the below list. If there is any transport damage or lack of any listed item, please contact your dealer immediately.

Items	Qty./Unit	Figure
Outboard (Main part)	1 set	 <p data-bbox="476 1114 625 1137">NAVY 3.0 Evo</p> <p data-bbox="742 1114 891 1137">NAVY 6.0 Evo</p>



Items	Qty./Unit	Figure
Propeller Assy. (delivered with NAVY 6.0 Evo)	2 Sets	
Wrench Set	1 Set	
Main Switch Cable	1 Set	
Link Arm	1 Set	
Tiller Shaft Lanyard Evo	1 Piece	
User Manual, Warranty Card, Quality Certificate & Invitation Card	1 Set	

 Other accessories not included in the package are also required to operate the outboard motor, such as Evo control system, battery, charger and communication cable, etc. Users can buy official accessories provided by ePropulsion such as Evo Remote Control, Evo Tiller, E Series Battery, E battery Charger and communication cable, etc. from ePropulsion authorized dealers.

💡 Note that the propeller of NAVY 3.0 Evo is attached on the motor before delivery and the two propellers of NAVY 6.0 Evo in the package differ in specifications: the high-pitch propeller (Diameter: 320mm/12.6inch, Pitch: 10.8inch) and the low-pitch propeller (Diameter: 340mm/13.4inch, Pitch: 8.5inch). They share the accessories.

💡 Save ePropulsion original package for transport and storage.

## 1.2 Parts and Diagram

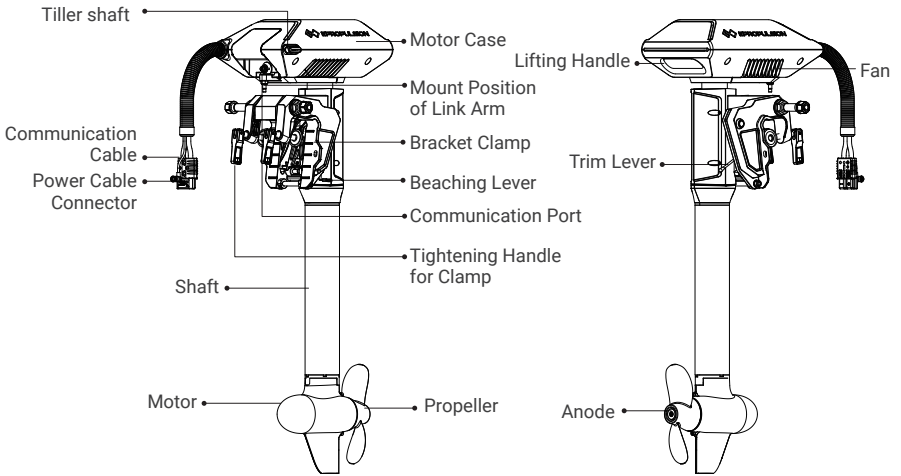


Figure 1-1 NAVY 3.0 Evo

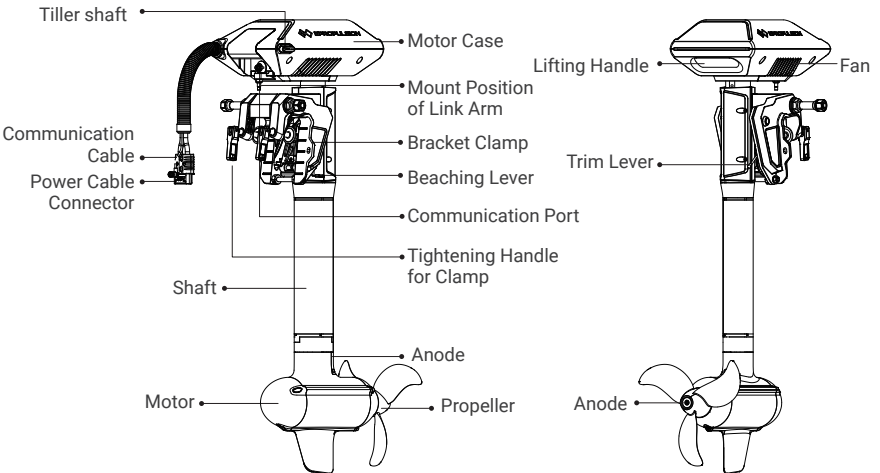


Figure 1-2 NAVY 6.0 Evo

## 1.3 Specifications

	NAVY 3.0 Evo-S/L	NAVY 6.0 Evo-S/L
Type	Electric Outboard Motor	
Input Power	3 kW	6 kW
Rated Voltage	48 V	
Input Voltage	39 V ~ 60 V DC	39 V ~ 60 V DC
Equivalent Power	6 hp	9.9 hp
Max Overall Efficiency	51%	57%
Rated Rotation Speed	2300 rpm	1500 rpm
Control System	Evo Remote Control / Evo Tiller / Evo Side Mount Control / Evo Dual Remote Control	
Dimension (L×W×H)	S: 437 × 314 × 1049 mm / 17.2 × 10.7 × 41.3 inches L: 437 × 314 × 1174 mm / 17.2 × 10.7 × 46.2 inches	S: 547 × 314 × 1087 mm / 21.5 × 10.7 × 42.8 inches L: 547 × 314 × 1212 mm / 21.5 × 10.7 × 47.7 inches
Shaft Length	S: 634 mm / 25 inches L: 759 mm / 29.9 inches	
Weight	24.3 kg(S)/25.1 kg(L)	36 kg (S) / 36.8 kg (L)
Trim Angles	Manual, 0°, 5°, 10°, 15°	
Tilt Angle	Manual, 60°	
Propeller (Diameter × Pitch)	10.2" × 6.7" 2-blade composite propeller	12.6" × 10.8" 3-blade composite propeller 13.4" × 8.5" 3-blade composite propeller 12.6" × 8.7" 3-blade aluminum propeller (Optional)
Recommended Operating Ambient Temperature	-10°C to 45°C 14°F to 113°F	

## 1.4 Important Notes

1. Check the status of the outboard and battery level before each trip.
2. The distance and speed value displayed is measured by Global Positioning System (GPS), there may exist small errors due to GPS signal strength degradation or some external environment conditions like currents, winds and change of course.
3. Ensure the top of outboard is uncovered to avoid GPS signal attenuation.
4. Familiarize yourself with all the outboard operations, including starting, steering, stopping, trim adjusting and tilting.
5. Only adults who have fully read and understood this manual are allowed to operate this product.
6. Follow the boat manufacturer's instructions to choose a suitable outboard. Do not overload neither the boat nor the outboard.
7. Stop the outboard immediately if someone falls overboard during the trip.
8. Protect the battery from dropping into water or short-circuiting.
9. Follow the battery manufacturer's instructions and pay attention to short circuit, over-heat, over-charge and over-discharge.
10. Operate the outboard only when the propeller is underwater.
11. Tilt up the outboard motor above water after use.
12. Wash the outboard in time with fresh water after sailing in salt water.
13. Clean all electronic contacts with contact spray about every two months.
14. Do not leave the outboard in water if the boat speed reaches 30km/h which is driven by other power such as sailing or rowing.
15. An error code will display on the panel if the outboard malfunctions. Put the throttle to zero position and turn off the main switch, then refer to *Chapter 5.8 Warning Messages* for details and solutions.
16. For safety consideration, the system will shut down automatically when the temperature of the motor or driver rise too high or the battery voltage drops too low during operation.
17. Users are responsible to assemble the propeller and steering wheel. If other assembly or disassembly is required, please contact your dealer. ePropulsion accepts no liability for any damage or malfunction caused by operations that violate this manual.

## 1.5 Declaration of Conformity

### Object of the Declaration:

Product: Electric Outboard

Model: NAVY 6.0 Evo, NAVY 6.0 Evo-L, NAVY 6.0 Evo-S, NAVY 6.0 Evo-C, NAVY 3.0 Evo, NAVY 3.0 Evo-L, NAVY 3.0 Evo-S, NAVY 3.0 Evo-C

**Company Name:** Guangdong ePropulsion Technology Limited

**Address:** Room 201, Bldg.17A, 4th XinZhu Road, SongShan Lake District, Dongguan City, Guangdong Province, China

The object of the declaration is in conformity with the following directives:


EMC-directive	2014/30/EU
MD-directive	2006/42/EC
RED-directive	2014/53/EU

Applied Standards:

EN 55014-1:2017	EN 300328:2019
EN 55014-2:2015	EN 50663:2017
EN 61000-3-2:2014	EN 62368-1:2014+A1:2017
EN 61000-3-3:2013/A1:2019	EN 60204-1:2018
EN 301489-1:2019	EN ISO 12100:2010
EN 301489-3:2019	

This device complies with part 15 of the FCC Rules: Operation is subject to the following two conditions:

1. This device may not cause harmful interference and,
2. This device must accept any interference received, including interference that may cause undesired operation.

Signature: 

Shizheng Tao, Chief Executive Officer & Cofounder of  
Guangdong ePropulsion Technology Limited

# 2 Preparations

---

## 2.1 Selecting the Battery



It is recommended to use ePropulsion E Series Batteries.

Lithium-based and lead-acid batteries can be used to supply power for NAVY Evo. Considering the high performance in energy density and discharge ability, lithium-based batteries are more preferable. To ensure that NAVY Evo can work at its full power continually, the batteries are required to possess over 62.5A(NAVY 3.0 Evo) or 125A(NAVY 6.0 Evo) of continuous discharge current. To ensure at least one hour of duration, the battery capacity should reach 3000Wh(NAVY 3.0 Evo) or 6000Wh(NAVY 6.0 Evo) or above.

The rated continuous discharge current is affected by the battery type and quantity of parallel batteries. To use lead-acid batteries, conventional lead-acid or AGM or GEL batteries are acceptable, while starter batteries are not recommended. Traction batteries or deep cycle batteries are more preferable as they give power over sustained period of time. Besides, the deep cycle marine batteries are also capable.

Battery capacity is a major factor that affects trip duration and distance. For instance, a battery with 48V of rated voltage completely discharges at a continuous current of 125A in 1 hour, so its rated capacity is 6000Wh ( $125\text{Ah} \times 48\text{V} = 6000\text{Wh}$ ), we also can say its rated capacity is 125Ah. The maximum power of NAVY 6.0 is 6kW which means the system can be running at full power for about 1 hour when using this battery. You can select a battery with proper capacity based on your requirements for travelling time and distance. Note that the operating time and distance are also affected by the input power of the outboard plus the external environment and temperature. In addition, boat type and load also play important roles.

Users can connect four 12V batteries in series to make a 48V battery set and use it to supply power for NAVY 6.0. Users can also enlarge the battery capacity by parallel configuration.



When using E Series Batteries, the batteries will work well once being correctly connected. When using non-ePropulsion batteries, before starting the outboard, users should configure the batteries via the Evo Control System for the first time use, otherwise the batteries may not work properly.

**!** Only use the same batteries (same model, same capacity, same age and same manufacturer) in series or in parallel configuration. Variations in the batteries will cause damage to them.

## 2.2 Selecting and Mounting the Propeller

For NAVY 3.0 Evo, the propeller of NAVY 3.0 Evo is attached on the motor before delivery. If necessary to replace a propeller, please follow the steps below to replace and mount the propeller.

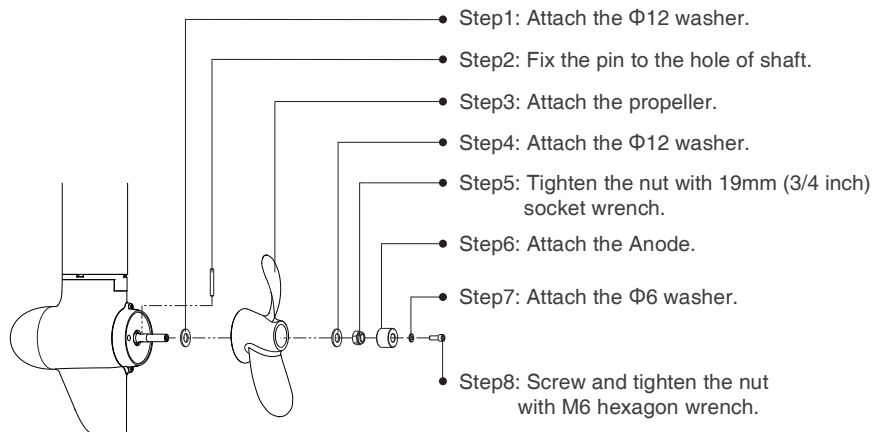


Figure 2-1

For NAVY 6.0 Evo, there are two types of propellers are available. Users can select a proper propeller based on different conditions. For a heavily loaded boat with large thrust, a low pitch propeller is more appropriate. Inversely, for a lightly loaded boat with a fast running speed, a high pitch one is preferable.

In the delivery package, there are two sets of propellers, including a low-pitch propeller and a high-pitch propeller. The low-pitch propeller with a larger diameter generates larger thrust at low speed, while the high-pitch propeller generates proper thrust to propel boats at high speed. It is recommended to use the high-pitch propeller if the boat speed can reach 15km/h or above, as the propeller can't work at full performance at low speed. Figure 2-1 displays how to mount a propeller correctly.

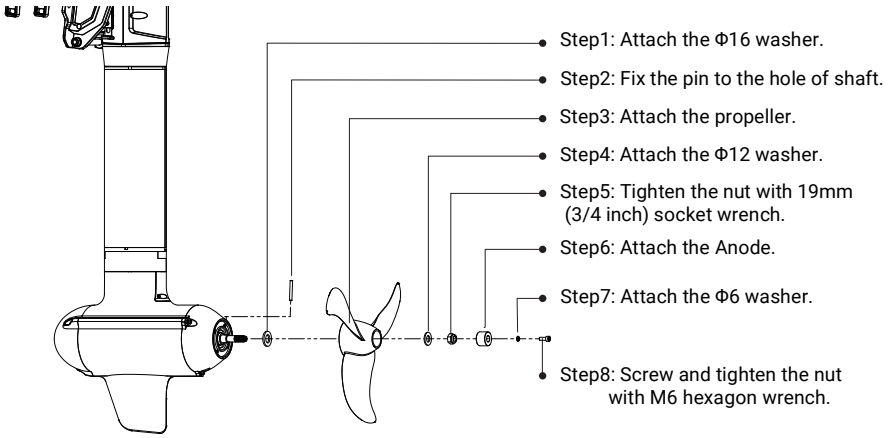


Figure 2-2



## 3 Mounting the Outboard Motor

Select an outboard with proper shaft length according to the transom height of your boat. The top of the propeller should be 100mm to 150mm below the water.

The outboard should be mounted on the centerline of your boat. If the boat shape is asymmetric, please consult your dealer for proper solution.

### 3.1 Position of Mounting

The mounting height of the outboard affects the running speed seriously. When the mounting height is too high, cavitation may occur, which may lead to speed slow-down, energy waste, and propeller damage. When the mounting height is too low, the water resistance will reduce both travelling speed and performance of the outboard.

In general, the optimal mounting height is affected by the specific conditions of a boat. In order to get the optimal mounting height, it's suggested to test running by mounting the outboard at different heights. Please consult your dealer for more help.

Transom Height	Recommended Model
Higher than 500mm	NAVY 3.0 Evo-L / NAVY 6.0 Evo-L
400mm~500mm	NAVY 3.0 Evo-S / NAVY 6.0 Evo-S

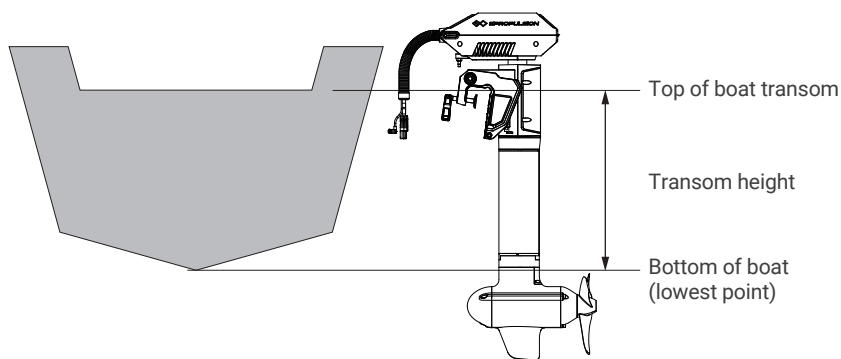


Figure 3-1 NAVY 6.0 Evo

## 3.2 Mounting the Outboard

### Method 1

Rotate the two clamps in clockwise direction to fix the outboard onto transom.

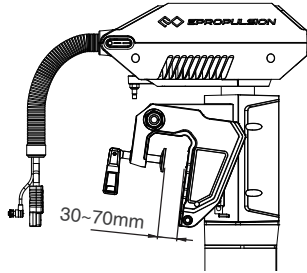


Figure 3-1

### Method 2

Use two screws to fix the outboard to the boat. The dimensions of the two mounting holes are shown below.

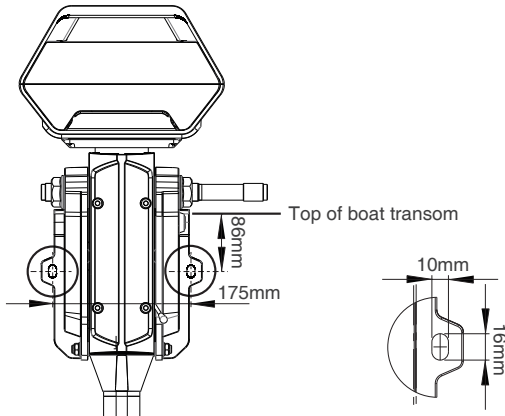


Figure 3-2

💡 Ensure the outboard is firmly fixed as loosened clamp screws may cause the outboard to fall into water or get damaged. Check the screws or clamps every time before use since they may be loosened because of mechanical vibrations.

💡 A cable is recommended to be used to avoid complete loss of your outboard in case it falls off the transom. Use the cable to connect your outboard and a secure mounting point on the boat.

### 3.3 Mounting the Steering System



Before using Evo Remote Control, please follow the fixing guide to fix the Evo Remote Control in the proper position.

When using the Evo Remote Control, please prepare a steering wheel (not supplied with NAVY Evo or the Evo Remote Control) and mount it on the corresponding position to control the direction.

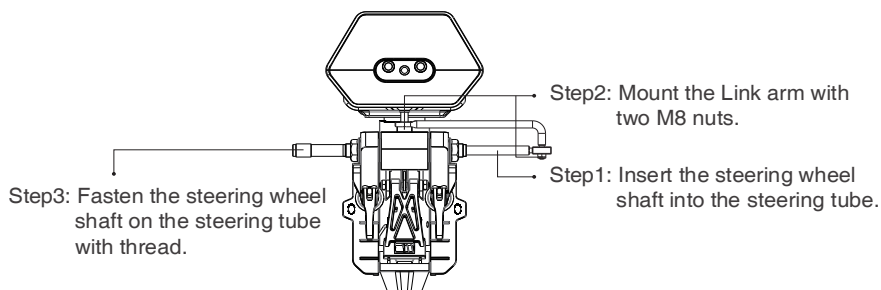


Figure 3-3

### 3.4 Mounting the Evo Tiller

1. Rotate the handle shaft counterclockwise, then pull out the handle shaft and decorative cover.

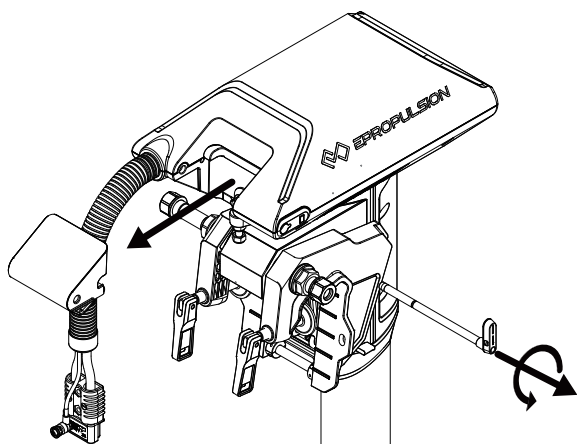


Figure 3-4

2. Install the tiller to the machine.

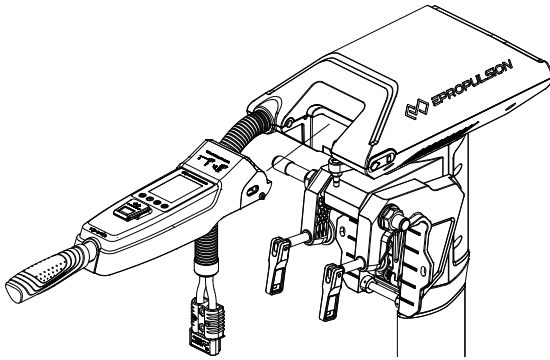


Figure 3-5

3. Insert the handle shaft into the hole to the end and lock it clockwise.

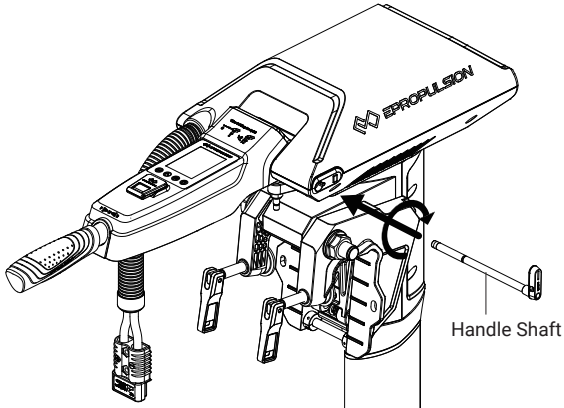


Figure 3-6

4. Connect the communication cable of Evo Tiller to the communication port of the NAVY Evo.

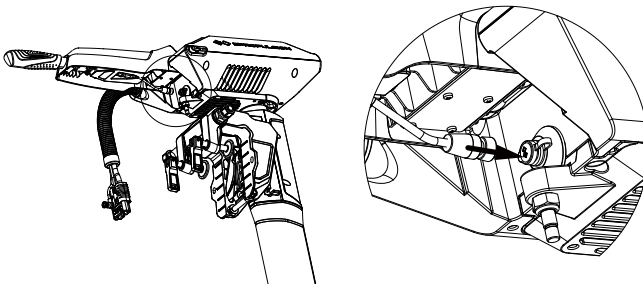


Figure 3-7

## 4 Connecting the Battery

### 4.1 Connecting a 48V Battery

When using a battery, make sure the main switch is off before connection.

1. First connect the main switch cable to the battery.
2. Connect the main switch cables with the power cable from the outboard.

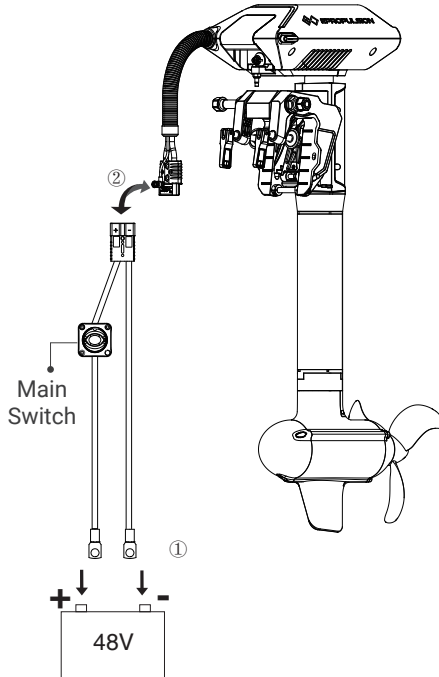








Figure 4-1


-  Avoid battery short-circuit during connection.
-  Do not short-circuit the main switch with other power supplies. The main switch should be mounted on the boat, and the back plate of the main switch should not be removed.
-  Outboard motor will stop working once the power cable disconnects.
-  Clockwisely rotate the main switch to power on the battery before use.
-  Users can also enlarge the battery capacity by connecting multiple batteries in parallel.

 The main switch and power cable are connected by the fixing screws that may loosen after long-time use. Loosen screws will lead to poor contact, which may result in overcurrent or other errors. If this problem is discovered, open the back cover of the switch, and tighten the screws inside.

## 4.2 Connecting E Series Batteries

When using E Series Batteries, make sure the main switch is off before connection.

1. First connect two batteries in parallel by a communication cable and two battery bridging cables.
2. Connect the main switch cable to the E Series Battery.
3. Connect the main switch cable with the power cable from the outboard.
4. Connect NAVY Evo outboard motor to the E Series Battery with a communication cable.

 It's recommended to connect the communication cable to obtain accurate battery information.

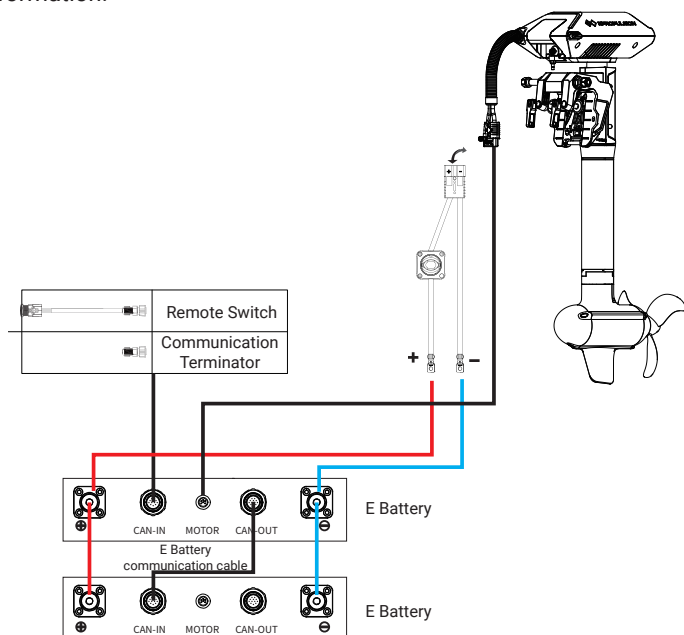









Figure 4-2

-  Avoid battery short-circuit during connection.
-  Do not short-circuit the main switch with other power supplies. The main switch should be mounted on the boat, and the back plate of the main switch should not be removed.
-  NAVY Evo outboard motor will stop once the power cable disconnects.
-  Use communication cables to connect E Series Batteries when multiple E Series Batteries are used in parallel.
-  Clockwisely rotate the main switch to power on the battery before use.
-  Users can also enlarge the battery capacity by connecting multiple batteries in parallel.
-  The main switch and the power cable are connected by the fixing screws that may loosen after long-time use. Loosen screws will lead to poor contact, which may result in overcurrent or other errors. If this problem is discovered, open the back cover of the switch, and tighten the screws inside.

### 4.3 Batteries in Series/Parallel

When connecting four 12V batteries in series to make a 48V battery set to supply power for NAVY Evo, use bridging cables to connect batteries in series (Figure 4-3). Make sure to connect the main switch cable to battery positive terminal and the other cable to battery negative terminal.

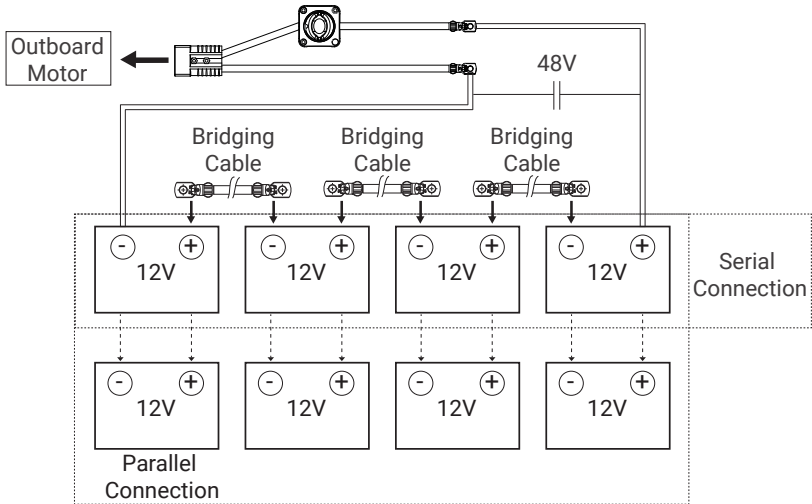


Figure 4-3

- ⚠** Do not short-circuit the main switch with other power supplies. The main switch should be mounted on the boat, and the back plate of the main switch should not be removed.
- ⚠** Only use the same batteries (same model, same capacity, same age and same manufacturer) in series and/or in parallel. Variations in batteries will cause damage.
- ⚠** Never reverse the polarity. Please pay more attention when connecting batteries in series and/or in parallel configuration. Always double check by referring to Figure 4-3.



## 5 Evo Remote Control/Evo Tiller

The Evo Remote Control and Evo Tiller is used for starting and stopping the outboard motor, adjusting the speed of the motor, configuring the battery parameters, displaying the system information and messages, etc. The Evo Remote Control is powered by either solar power or the built-in lithium battery, but the Evo Tiller is powered by connecting to the outboard with a communication cable. Evo Remote Control wirelessly or wiredly communicates with the outboard control system built in the main outboard motor, and Evo Tiller can only wiredly communicate with the outboard. The Evo Tiller itself owns the steering capability, while using the Evo Remote Control, it requires an additional steering wheel to help steer.

### 5.1 Display Panel

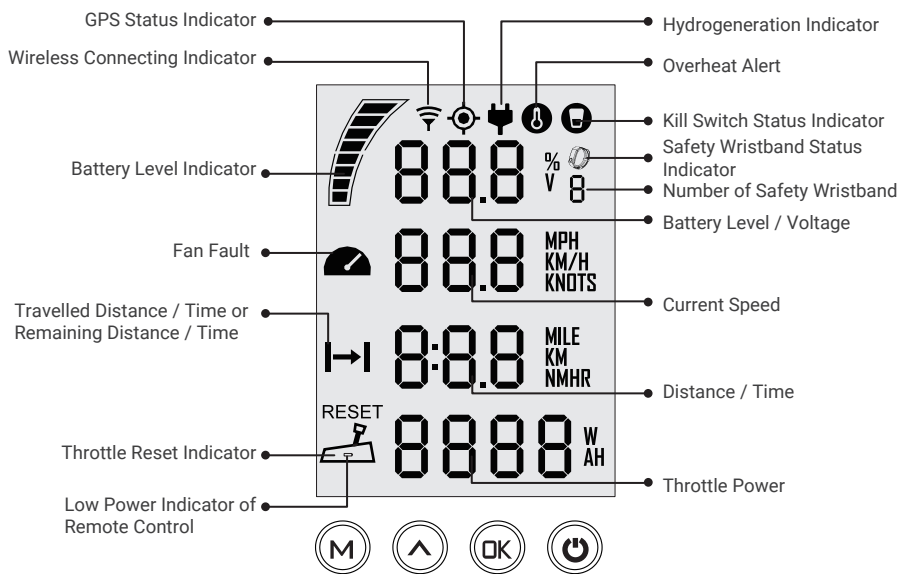



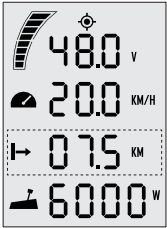

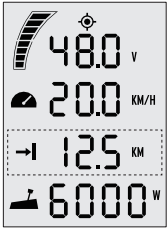

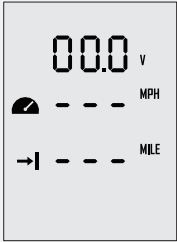



















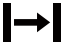


Figure 5-1










Buttons	Functions
 "Power"	<ol style="list-style-type: none"> <li>1. In power-off state, press and hold the power button to power on the Evo Remote Control or Evo Tiller.</li> <li>2. In power-on state, press and hold the power button to power off the Evo Remote Control or Evo Tiller.</li> <li>3. In power-on state, press the power button to switch on or off the backlight of Evo Remote Control or Evo Tiller.</li> </ol>
 "OK"	<ol style="list-style-type: none"> <li>1. On setting pages, press "OK" button to save the current settings and switch to the next item.</li> <li>2. On setting pages, press and hold "OK" button, and the system will save your settings, the display will exit from setting page and return to the home page.</li> <li>3. If home page displays or all characters display on the page, press "OK" button and hold 5s to enter the pairing page.</li> <li>4. On home page, press "OK" button to switch between voltage V and battery percentage %.</li> </ol>
 "Up"	<ol style="list-style-type: none"> <li>1. On any setting page, press "▲" button to view options for current setting.</li> <li>2. In power-on state, when home page displays, press "▲" button and hold 10s to enter the throttle calibration page.</li> <li>3. On home page, press "▲" button to switch the travelling distance or time displaying icon between "→ " and " →".</li> </ol> <div style="display: flex; align-items: center; justify-content: center; margin-top: 20px;"> <div style="text-align: center;">  <p>Main page 1</p> </div> <div style="margin: 0 20px; text-align: center;"> <p>press "Up" button</p>  </div> <div style="text-align: center;">  <p>Main page 2</p> </div> </div>

Buttons	Functions
<p><b>M</b> "Menu"</p>	<p>1. In power-on state, press and hold "M" button to enter the preference setting page.</p> <div data-bbox="513 209 689 451" style="text-align: center;">  </div> <p style="text-align: center;">Preference setting page</p> <p>2. On preference setting page, press and hold "M" button to enter the battery setting page.</p> <div data-bbox="508 576 684 818" style="text-align: center;">  </div> <p style="text-align: center;">Battery setting page</p> <p>3. On any page, press "M" button to return home page.</p>

 If users enter the page without setting any parameters, the current parameters displayed on the page will be saved as user parameters by default.

Icons	Functions	
	<p>Battery level indicator</p>	<p>Indicating approximate battery level. The solid blocks stand for remaining battery.</p>
	<p>Battery level/voltage</p>	<p>Indicating accurate current battery level percentage/battery voltage, is configurable in preference setting page.</p> <p>For example:</p> <p>100%: indicates current battery level.</p> <p>48.0 v: indicates current battery voltage.</p>

Icons	Functions	
	GPS status indicator	<ul style="list-style-type: none"> <li> Hidden: no satellite signal is received or GPS does not work.</li> <li> Blink: GPS is connecting to satellites. Shown constantly: GPS is in use.</li> </ul>
	Fan fault	<ul style="list-style-type: none"> <li> Blink: The motor fan has faults. Please contact the dealer to check the fan wiring.</li> </ul>
	Over-heat alert	<ul style="list-style-type: none"> <li> Hidden: system temperature is in normal range.</li> <li> Blink: system temperature is a little high and the maximum input power of motor has been lowered</li> <li> Shown constantly: system is over temperature and the outboard will stop working. The outboard can't be started until the system temperature drops to a certain level.</li> </ul>
	Kill switch status indicator	<ul style="list-style-type: none"> <li> Hidden: kill switch is present and is working well.</li> <li> Shown constantly: the kill switch is detached.</li> </ul>
	Current speed	Displaying real time cruising speed. Set units (KM/H, MPH or KNOTS) in preference setting page.
	Distance/time display	Displaying real time travel distance/time. Set units (MILE, KM (kilometer) and NM (nautical mile)) in preference setting page. The time unit is HR (hour).
	Travelled distance/time or remaining distance/time	<ul style="list-style-type: none"> <li> Remaining distance or time that the outboard can travel. Set units (MILE, KM (kilometer) and NM (nautical mile)) in preference setting page.</li> <li> Travelled distance or time.</li> </ul>


Icons	Functions	
	Throttle Power	<p>Displaying real time input power to the system.</p> <p>A blinking "RESET" indicating the throttle should be reset to zero position.</p>
	Wireless connecting indicator	<p>Displaying the remote control is wireless connecting with outboard.</p>
	Safety wristband connecting display	<ul style="list-style-type: none"> <li> Shown constantly: the safety is connecting with the remote control successfully.</li> <li> Blink: there is a safety wristband to disconnect.</li> </ul> <p>The number indicates the number of safety wristbands connected to the remote control.</p>
	Hydro generation indicator	<ul style="list-style-type: none"> <li> Shown constantly: the hydro generation function is turned on.</li> <li> Blink: the machine is charging the battery.</li> <li> Hidden: the hydro generation function is turned off.</li> </ul>

## 5.2 Charging the Evo Remote Control

The Evo remote control has an in-built lithium battery for power supply. The battery will be charged automatically under normal use: get charged by solar power or wired connection.

### 5.2.1 Charging by Solar Power

When the solar panel receives enough sunshine, it will generate electricity to charge the in-built lithium battery.

 Face the solar panel of the Evo remote control toward sunlight to get better charging effect.

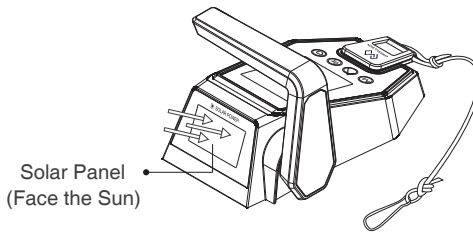



Figure 5-2

 Charging by solar power is recommended.

### 5.2.2 Charging by Wired Connection

If the Evo remote control can't get enough solar power for a long time, the battery will run out. In this case, error code E60 (Figure 6-3) will display to remind you to charge the Evo remote control.

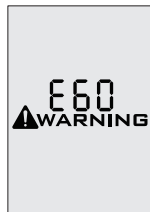


Figure 5-3

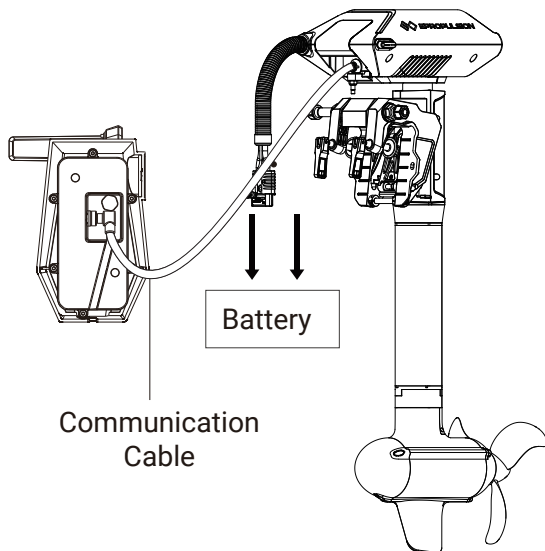








Figure 5-4

-  During long-term storage, ensure to charge the control system every 6 months to avoid over-discharge.
-  Do not short-circuit the main switch with other power supplies. The main switch should be mounted on the boat, and the back plate of the main switch should not be removed.
-  After long-term storage, charge the control system before use.
-  The communication cable is not included in this package. Please purchase one from your dealer if you choose this charging method.
-  Once the communication cable disconnects, charging automatically stops and the running motor stops. Please restart the motor.

## 5.3 Power Adjusting

### 5.3.1 Power Adjusting for Evo Control System

 Please place the safety switch on the Evo control system before operation. The Evo Control system is mainly used to adjust the input power of the motor. When the battery is well connected and switched on, power on the control system to start the outboard, then slowly push/rotate the throttle forward position to increase the power. The maximum forward/backward power is shown below.

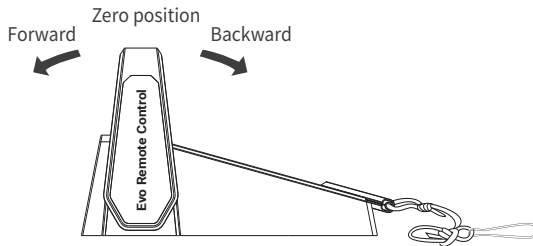


Figure 5-5

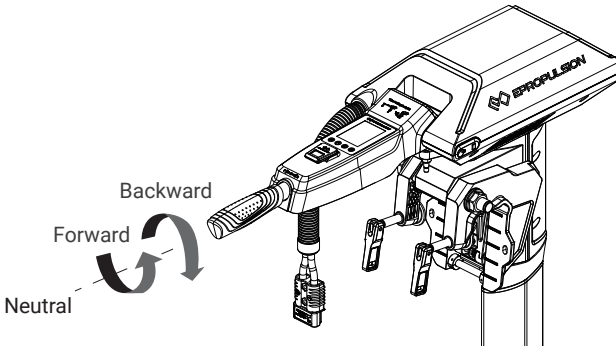





Figure 5-6

Model	Max Forward Power	Max Backward Power
NAVY 3.0 Evo	3 kW	3 kW
NAVY 6.0 Evo	6 kW	6 kW

-  Before power on the Control system, please reset the throttle to zero position.
-  If you find a blinking “RESET” on the display panel, you are reminded to reset the throttle to zero position.
-  If you pull the throttle from the forward position to the backward position directly, the motor will first stop shortly, then start turning to the reverse direction.



## 5.3.2 Recalibration

If the error code displays as the figure 5-7, users should calibrate the throttle **strictly** as below steps.



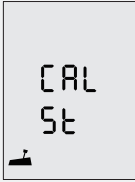
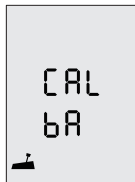
 Before calibration, please attach the kill switch in the package to the proper position. It is forbidden to use other magnets to replace the kill switch for calibration.



Figure 5-7

Recalibration process	LCD Displaying
Step1: Long press “ <b>^</b> ” button for 10s until “CAL FO” displays.	
Step2: Push the throttle to the maximum forward power position, then press “ <b>OK</b> ” button. “CAL 5t” will display and “CAL” will be blinking.	
Step3: Pull the throttle to the middle (zero) position where you can hear a click sound, then press “ <b>OK</b> ” button, “CAL bA” will display and “CAL” will be blinking.	
Step4: Pull the throttle to the maximum backward power position, then press “ <b>OK</b> ” button. It will return to the main page automatically.	

## 5.4 Use of Kill Switch

- Attach the kill switch and tie its lanyard to your wrist or life jacket.
- Stop the outboard in emergency by detaching the kill switch.
- To run the motor again, first attach the kill switch then start the motor.

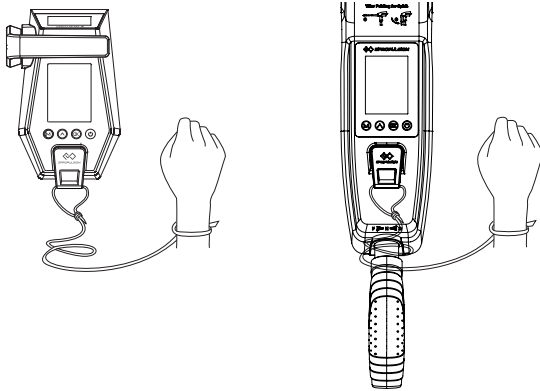


Figure 5-8

- ⚠ The kill switch generates magnetic field. Keep it 50cm / 20inches away from medical implants like pacemakers and magnetic cards (e.g. credit card) as well as other magnetic media.
- ⚠ The magnetic field of the kill switch may interfere with some electronic instruments. Keep it away from these electronic instruments.

## 5.5 Use of Safety Wristband

### 5.5.1 Pairing Safety Wristband with Evo Control System

Press the “**^**” and “**OK**” buttons and hold for a while to display the safety wristband icon and “SE”. At this time, approach the safety wristband that needs to be paired, turn on the safety wristband, and the Evo control system displays the “SUC”, indicating successfully pairing. Keep in this interface and continue to press “**OK**” to pair the safety wristband continuously (the maximum number of pairs is 8). After completing the pairing, press the “**M**” button to return to the main page.

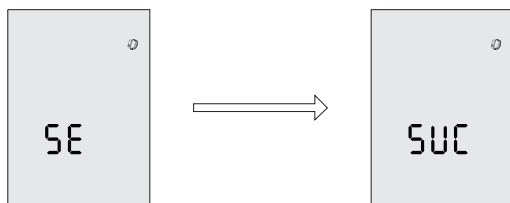



Figure 5-9

### 5.5.2 Man Overboard Protection

After the safety wristband and the Evo control system are paired, when the safety wristband falls into the water and the Evo control system is on, the outboard will stop immediately. The Evo control system display will flash with a buzzing sound. The safety wristband icon flashes and the number of safety wristbands decreases. At this time, you can continue to operate the machine by returning the throttle to zero position. The buzzer of the Evo control system will stop, but the display continues to flash. If you confirm that you need to cancel the alarm state, please restart the Evo control system or the disconnected wristband.

### 5.5.3 Emergency Stop

After the safety wristband and the Evo control system are paired, when the Evo control system is in operation, short press the button of the safety wristband, the outboard will stop immediately. The display of the Evo control system will flash with a buzzer. At the same time, the safety wristband icon flashes and the number of safety wristbands displayed at the bottom decreases. At this time, you can continue to operate the machine by returning the throttle to zero position. The buzzer of the Evo control system stops, but the display continues to flash. If you confirm that you need to cancel the alarm state, please restart the Evo control system or short press the safety wristband after 5 seconds.

 When a wristband is disconnected or an emergency stop is performed, the stop command of other wristbands will not work until it returns to the normal state.

## 5.6 Pairing Evo Control System with the Outboard


Before use please pair control system with the outboard. Evo Tiller will automatically pair with the outboard after mounting on the outboard properly. There are two methods to pair the remote control with the outboard. Please choose one of the two methods and follow the steps to build new communication.

### Method 1. Pairing without Communication Cable

**Step1:** Switch off system power and hold the remote control within 0.5m of the outboard.

**Step2:** Press and hold the “” button to switch on the remote control.

**Step3:** Ensure the wireless indicator is shown constantly on the home page.

**Step4:** Press “” button and hold **5s** to enter the pairing setting page (Figure 6-9).

On this page, you can find the blinking “Add” and “RUF”, and a countdown timer “060” (60s).




Figure 5-10

**Step5:** Switch on system power. Wait for them to get paired in seconds.

**Step6:** After pairing, the LCD panel will display as Figure 6-10 for 5s, then returning to home page automatically.



Figure 5-11

 If pairing fails within 60s, go back to **Step4** and try again.

## Method 2. Pairing with Communication Cable

**Step1:** Switch off system power and the remote control.

**Step2:** Connect the remote control and the Communication module with a communication cable.

**Step3:** Switch on system power and the remote control. Wait for them to get paired in seconds. Pairing succeeds when home page displays.



No matter it is in wireless communication status or not, it will switch to wired communication status when you are pairing with a communication cable.



If the control system or the outboard is replaced with a new one, the original wireless link will break and wireless communication failure will occur. The main page of the LCD panel on the Control system will display as below. In this case, users should conduct pairing again.

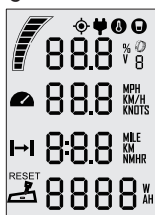


Figure 5-12

However, if the Control system and the outboard are not replaced, but the LCD panel still displays like this, you should check and:

- 1) Make sure the Control system is not far from the outboard motor;
- 2) Make sure all the equipment involved is normally powered on.

If the Control system still displays like Figure 6-11 after check, it indicates an error has occurred. Please contact your dealer for repair.

## 5.7 Hydro Generation Function


NAVY Evo outboard can drive the propeller to charge the battery (only the ePropulsion battery) through water flow.

**The machine will enter the hydro generation state if the following conditions are met:**

1. The Evo control system is set to turn on the hydro generation function (enabled by default).
2. The Evo control system is in the zero position.
3. The ePropulsion battery power is below 90%.
4. The machine will enter the hydro generation state after the boat speed is above 6km/h stable for 4 seconds.
5. The hydro generation function can be used only when connecting ePropulsion batteries.
6. If using E-series battery, please connect with a communication cable.

**When any of the following conditions occur, the hydro generation will be stopped:**

1. The Evo control system is set to turn off the hydro generation function.
2. The Evo control system is in the forward / backward state (not in the zero position).
3. The ship is not traveling or traveling too fast (NAVY 3.0 Evo is higher than 40km/h or NAVY 6.0 Evo is high than 45km/h).
4. The battery level is higher than 90%.

 Only when connecting with ePropulsion batteries, the hydrogeneration function can be turned on.

### Set up the hydro generation function

When the Evo control system and the machine are successfully connected, and the Evo control system and the outboard are both on. Press the “M”, “^” and “OK” buttons at the same time to enter the hydro generation setting interface. Then press “OK” to change the state of the hydro generation function (En means on, Dis means off).

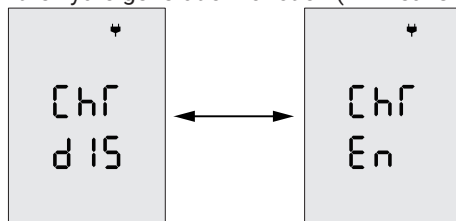


Figure 5-13

## 5.8 Warning Messages

When the outboard motor is running in abnormal conditions or out of order, a warning message with an error code will display on the LCD panel. Figure 6-13 is an example. Please find more error codes and corresponding solutions in the below table.

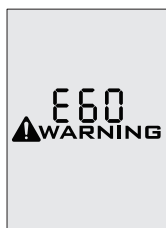



Figure 5-14

Code	Cause	Solution
E01	Battery voltage beyond operation range.	Replace a battery based on suggested operation specifications.
E02	Propeller may be blocked, causing motor overcurrent	Refer to Solution to E10.
	Motor fails or circuit board fails causing motor overcurrent	Try to turn off the main switch and wait for 10 seconds then turn on the switch again.
E06	The battery voltage level is too low.	Operate the motor at low power. Please charge the battery as soon as possible.
E10	Motor stall, which may be caused by blocked propeller	Turn off power, then clean up the things winding around the propeller. Test if the propeller can be rotated by hand before operation.
E11	The temperature of motor is too high.	Stop operating the outboard and wait until the temperature falls within the normal operating temperature range.

Code	Cause	Solution
E12	The temperature of circuit board is too high.	Stop operating the outboard and wait until the temperature falls within the normal operating temperature range.
E22	MCU Communication Abnormality	Please restart to see if the error disappears, if not, please contact your dealer for help.
E30	Throttle position sensor failure, should recalibrate the throttle position sensor.	Please refer to section 6.3.2 <i>Recalibration</i> to recalibrate the throttle position sensor.
E56	Communication Error between outboard and battery	Check if the communication cable between outboard and battery is well connected, if yes, please restart the system.
E60	The remote control is running out of power.	Please connect the remote control to the outboard by a communication cable. Please refer to section 6.2.2 <i>Charged by Wired Connection</i> .
All characters display	The motor has no power.	Connect the battery to the outboard and then turn on the main switch.
	Not paired	Please refer to section 6.6 <i>Pairing Control System with the Outboard</i> .

 If the problem persists, please consult your ePropulsion authorized dealer for assistance.



# 6 Configurations

## 6.1 Preference Settings

It's advised to set display preference by these steps before operation.

**Step1:** In power-on state, press “M” button and hold to enter the preference setting page as shown in Figure 6-1. Users can choose display items based on personal needs and preference.

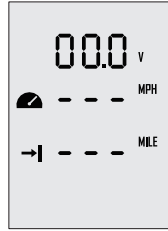


Figure 6-1

**Step2:** On the preference setting page, the blinking item is the object waiting to be set. Press the “^” button to view options for the blinking item. For example, in Figure 6-1, if “V” is blinking on the preference setting page, it means that “V” has other alternate options. Just press the “^” button, and “V” will switch to “%”, i.e. the displayed item is switched from voltage to battery level.

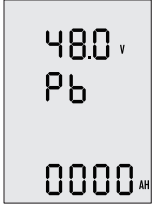



**Step3:** Press “OK” button to save setting for the current item and skip to the next item simultaneously.

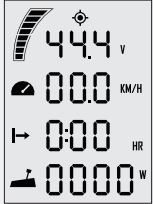
**Step4:** When all the items have been set well, long press the “OK” button to save all the settings and return to the main page.


## 6.2 Battery Configuration


Accurate battery configuration helps achieve precise estimation of the battery's discharging state. When using an ePropulsion E Series Battery, battery configuration is self-activated by the control system given that all the communication cables are well connected. When not using E Series Batteries, users should manually configure the batteries via Remote Control/Tiller at the first time use, so the battery level will display more accurate.

**⚠** Battery configuration should be carried out if a battery with different type/capacity/voltage is connected to NAVY 6.0 for the first time.


Battery Configuration Process	LCD Displaying
<p><b>Step1:</b> First, turn on the main switch and the Evo Remote Control / Evo Tiller.</p> <p>Press and hold the “M” and “OK” button simultaneously to enter the battery setting page.</p> <p>Users can see the attery type blinking and it’s ready for configuration.</p>	
<p><b>Step2:</b> Pressing “OK” button to switch the battery type options between Pb, Li and LFE.</p> <p><b>Pb:</b> Lead-acid battery    <b>Li:</b> Lithium battery</p> <p><b>LFE:</b> Lithium-ion ferrous phosphate battery</p>	
<p><b>Step3:</b> Press “^” button to save battery type setting and return to the top battery nominal voltage setting item.</p> <p>The voltage options are varied according to the battery types. Press “OK” button to view the options and select the closest nominal voltage value according to the battery you use.</p>	
<p><b>Step4:</b> Press “^” button to save battery voltage and skip to the below battery capacity setting item.</p> <p>Press “OK” button to change the value and set the battery capacity according to the battery you use.</p> <p>Note that the unit of capacity is “Ah”, usually the capacity of battery is expressed in “Wh”, and we can get the capacity in “Ah” by following the below formula:</p> $\text{Capacity in Ah} = \frac{\text{Capacity in Wh}}{\text{Nominal voltage in V}}$ <p>Eg. if users use a 3000Wh Lithium battery with 48.1V nominal voltage, then the battery is about 62.37Ah, so you can set 62Ah as the capacity setting.</p>	


Battery Configuration Process	LCD Displaying
<p><b>Step5:</b> Press “<b>M</b>” button to save all the settings and return to the main page.</p>	

 Lithium batteries, lead acid batteries and lithium iron phosphate batteries are recommended to use with NAVY Evo. Other types of battery may fail to make NAVY Evo work properly.

 When you use the below batteries, please set battery type and rated voltage value based on the parameters in the following table.

Battery type	Nominal Voltage options										
LI	43.2V	44.4V	45.6V	46.8V	48.1V	49.4V	50.4V	51.8V	53.2V		
Pb	44.0V	46.0V	48.0V	50.0V	52.0V	54.0V					
LFE	44.8V	48.0V	51.2V								

 Update the battery configuration is necessary if a different type of battery has been applied.

 When using non-ePropulsion batteries, before starting the outboard, users should configure the batteries via the Evo Control System for the first time use, otherwise the batteries may not work properly.

## 7 Checklist before Use

---

1. Ensure the propeller is correctly and firmly mounted on the outboard.
2. Ensure the outboard is correctly and firmly mounted on the boat.
3. Ensure the throttle and steering wheel are installed in proper position before turning on the power.
4. Ensure the throttle travels smoothly with no obstacles.
5. Before connecting the battery, check and make sure there is no poor contacts or defects in cables.
6. Check and ensure the main switch is able to power on and off normally. After that, turn off the main switch.
7. Ensure the battery has enough power.
8. Ensure the Evo Remote Control has enough power when the Remote Control is wirelessly connecting to the outboard.




Start the outboard only when the propeller is beneath water, as the rotating propeller is dangerous.



If the cable is immersed in water, please dry it completely before connecting it to the battery or power on the system.

## 8 Starting the Outboard


---


1. Complete the check list.
2. Remove the kill switch from the Remote Control/Tiller.
3. Push/Turn the throttle to zero position.
4. Connect the battery to the outboard.
5. Fix the outboard with a proper trim angle.
6. Turn on the main switch. If the outboard is connected to an E Series Battery, please also press the battery power button to power on.
7. Press “  ” button to turn on the Remote Control/Tiller and the main page will display.
8. Carry out preference setting and battery configuration if necessary.
9. Tie the kill switch to your wrist or life vest, then attach the kill switch on the Remote Control/Tiller.
10. Push/Turn the throttle slowly to start your outboard.

## 9 Stopping the Outboard

---

Usually, it's recommended to stop the outboard as the following procedures.

1. Return the throttle to zero position.
2. Wait until the outboard stops, then detach the kill switch from the Remote Control/Tiller Handle.
3. Press and hold the “” button until the Remote Control/Tiller Handle is powered off.
4. Turn off the main switch. If the outboard is connected to an E Series Battery, please also press the battery power button to power off.
5. Tilt the outboard above water surface or detach it from boat.

 If the outboard motor will not be used soon, it's recommended to tilt the outboard out of water, otherwise erosion may occur. In addition, it is recommended to apply protective coating.

 The outboard will stop if one of the situations occurs.

1. The throttle is in zero position.
2. The kill switch is not in the correct position of Remote Control/Tiller Handle.
3. The main switch is off.
4. The communication between Remote Control/Tiller Handle and outboard breaks.
5. The connection between battery and outboard breaks.
6. Failure exists in the control system (e.g. motor is blocked or the low battery voltage level is detected).

# 10 Trim Angle Adjusting

**!** Only adjust the outboard trim angle when the outboard is stationary.

There are five trim angle options including 60°, 15°, 10°, 5° and 0°. Adjust the outboard trim angle based on specific conditions. E.g. when the boat is in shallow water or the outboard is not in use, tilt the outboard and adjust the trim angle to 60°. For normal operation, fix it to a proper trim angle where the shaft is vertically downward during operation. Be reminded that the best trim angle varies by boat type, operation conditions, weather, etc.

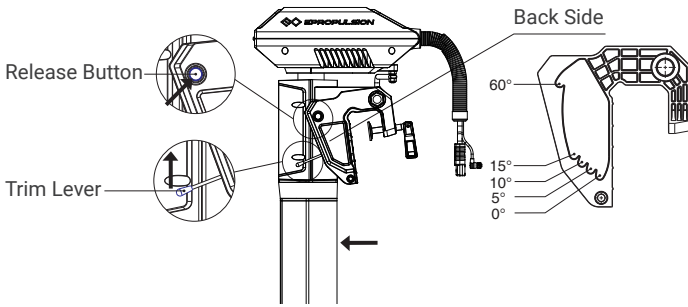


Figure 10-1

## Tilting up


**!** Detach the Tiller first before tilting the outboard motor up to the position with max trim angle.


**!** Do not use the tiller handle to tilt or lift your outboard. The tiller handle is not designed to support the weight of the outboard, and damage may occur. Please use the cowling to support the weight of the outboard while lifting and tilting.


Pull up the trim lever with one hand, and lift the outboard shaft with the other hand to enlarge the trim angle to a particular degree. Then, release the trim lever to lock the trim angle.

## Tilting Down

The release button is raised when the trim angle is maximum at 60° position. Press the release button and tilt up the propeller shaft slightly to about 80° position, then lay it down, and the outboard shaft will return to 0° position.

 It's suggested to test with different trim angles to find the optimal trim angle for the boat and operation. Note that the speed should be increased gradually during the test, and check if there are any abnormal situations. Stop the outboard and decrease the trim angle if necessary.

 Slight and gentle operations are recommended when tilting up and down.

 The trim lever is only used to increase the trim angle from 0° to 60°. If users want to decrease the trim angle, eg. from 15° to 5°, follow these steps: first, tilt the outboard shaft to the maximum angle (60°); then, press the release button to return the outboard shaft to the 0° position; last, use the trim lever to tilt up the shaft to the 5° position.

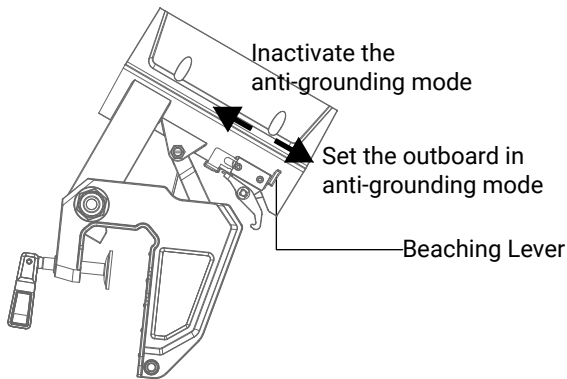
# 11 Anti-grounding Mode

---

When the boat runs in shallow water or in complicated underwater conditions, it may meet grounding dangers. Setting the outboard to anti-grounding mode will protect the outboard motor from damage if the outboard hits submerged reefs or rocks. In anti-grounding mode, the underwater part of the outboard is flexible in tilting direction and the motor will automatically tilt up if it hits something underwater.

Step 1: Use the left hand to pull the gear hook to turn it through a certain angle to ensure that the beach structure wrench can be pulled down to the end of the stroke.

Step 2: Use your right hand to pull down the beach structure wrench to the end of the stroke (pull up to exit the beach).





## 12 Thread the communication cable into the bellow

In order to protect the cable and the beauty of the machine, it is recommended that when using a 5m communication cable, follow the following operations to thread the communication cable into the bellow:

Step 1: Remove the handle shaft, the decorative cover and the upper case, remove the card holder, and thread the cable through the bellow (it is recommended to insert the hard line into the bellow first to help thread the communication cable).

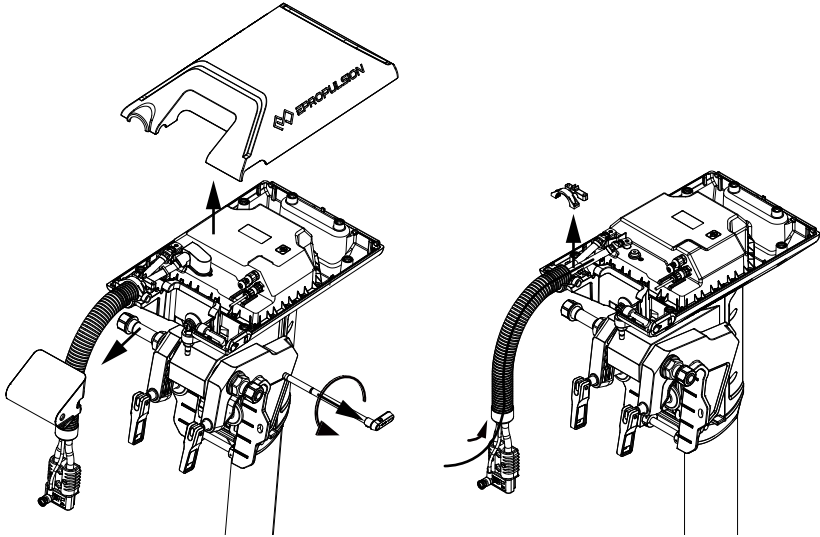


Figure 12-1

Step 2: Put the cable into the card wire slot, and then put it into the cable hole of the lower case.

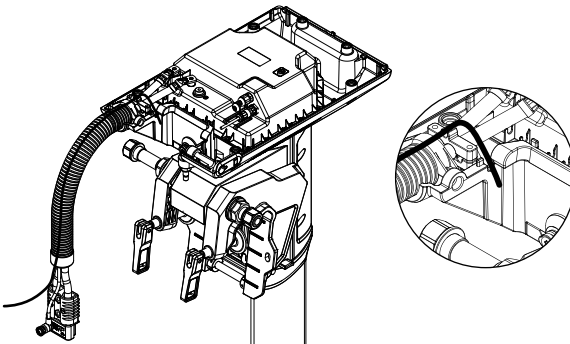


Figure 12-2

Step 3: Install the upper case, and then install the decorative cover, thread through the two cable holes as shown in the figure, and finally connect to the communication port.

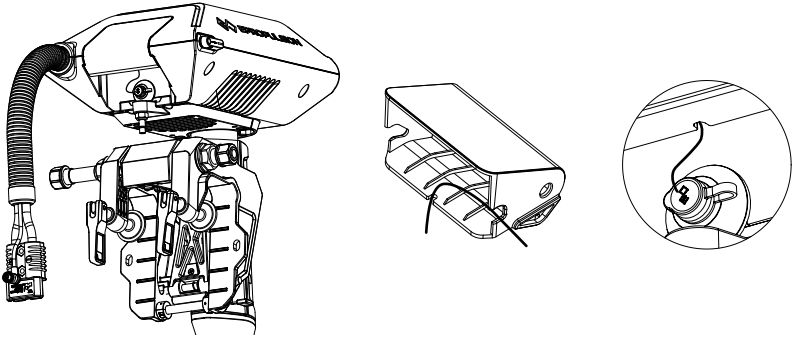


Figure 12-3


# 13 Maintenance


## 13.1 Notes

Regular maintenance is beneficial to keep your outboard working in optimal condition.

Do not start the outboard in shallow or unknown water conditions. Only use the outboard in deep water area.

In order to clean and reduce corrosion, use fresh water to wash the whole outboard after use in salt water.

 Disconnect the battery from outboard before maintenance.


 Conduct the maintenance under instructions of professional experts or your dealer.

 Only use ePropulsion original components for replacement and maintenance.


## 13.2 Maintenance Time Table


Regularly maintained in proper manner and used in normal condition, the outboard can work at its optimal state. The following table shows a general maintenance frequency, which however may vary according to operating conditions.

Item	Operations	Initial	Every	
		50 hours (3 months)	100 hours (6 months)	200 hours (12 months)
Anode	Check/Replace	□	□	■
Propeller and pin	Check/Replace	□	□	■

 The “□” symbol indicates checks may be carried out by users. The “■” symbol indicates work to be carried out by your dealer.

## 13.3 Propeller Maintenance

 Disconnect the battery with outboard before maintenance.

 Gloves are recommended to protect your hand from sharp propeller edges.

Check the propeller according to the following instructions, then refer to then refer to *section 2.2 Selecting and Mounting the Propeller* to replace a new propeller if necessary.

1. Check the propeller blades for wear, cavitation erosion and other damage.
2. Check the pin for wear and damage.
3. Check for water plants, fishing net or line twine around the propeller.
4. Replace a new anode if necessary.

## 13.4 Replacing the Anode

Please refer to the figure below to replace a new anode if necessary.

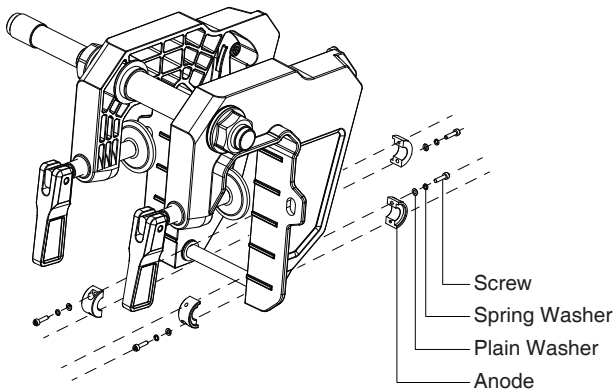


Figure 13-1

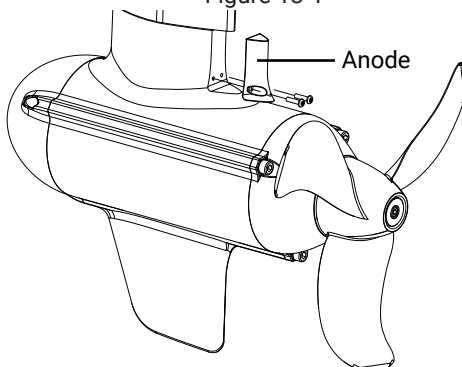


Figure 13-2

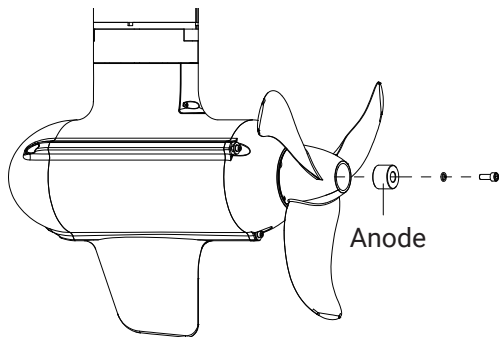


Figure 13-3

# 14 Transportation and Storage

---

## 14.1 Transport

For long distance transport, please use the ePropulsion original packing materials to pack the outboard before delivery.

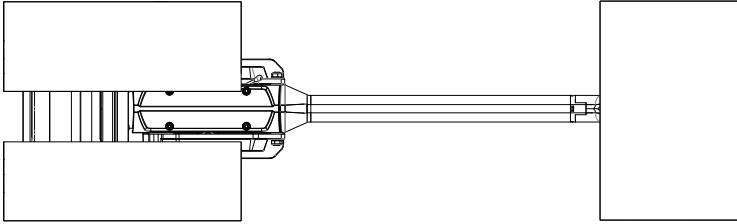


Figure 14-1

## 14.2 Placement

When placing the outboard on a surface, ensure the surface is flat and horizontal. It's better to put some damping cushion underneath.

## 14.3 Storage

If you are not using the outboard motor for more than 2 months, it's advised to contact your dealer to clean and check the outboard prior to storage. It's recommended to pack the outboard with ePropulsion original packing materials for storage.

**⚠** Get adequate damping protection measures before transport and storage. And ensure the propeller receives no pressure if the propeller is mounted on the propeller shaft.

**⚠** Store the outboard in a well-ventilated and dry area without direct sunshine.

**⚠** Ensure the ambient temperature is proper ( $-25^{\circ}\text{C}\sim 50^{\circ}\text{C}$ ) during storage.

# 15 Emergency Situations

---

## 15.1 Collision

If the outboard strikes some object beneath the water, please follow below procedures.

1. Stop the outboard immediately and then turn off the main switch.
2. Check the mechanical structure to see if there are damages.
3. Return to the nearest harbor or pier in low power.
4. Call your dealer to check the outboard.

## 15.2 Sodden Outboard

If the outboard is sodden, stop it immediately and turn off the main switch then disconnect the battery. Bring the outboard to the dealer. And ensure the outboard is thoroughly inspected before operating it again.

## 15.3 Low Battery Level

When the battery voltage is lower than 42V, the throttle power will be limited gradually along with the voltage drop. When the battery voltage drops below 39V, the outboard will stop automatically to prevent battery over-discharge. If this happens when the outboard is far away from the shore, and there is an alternative battery, it's recommended to wait until the battery voltage recovered to 42V or above. You can restart the outboard with throttle power below 1000W.

## 15.4 Over-temperature Protection

When the operating temperature is high, the max input power will be limited within rated power, and the power will decrease with the rise of temperature. If the system temperature keeps rising and surpasses a threshold, the outboard motor will shut down automatically to avoid over-temperature. Users should stop operating the outboard and wait until the temperature falls within the normal range.

# 16 Warranty


---


The ePropulsion limited warranty is provided for the first end purchaser of an ePropulsion product. Consumers are entitled to a free repair or replacement of defective parts or parts which do not conform with the sales contract. This warranty operates in addition to your statutory rights under your local consumer law.

## 16.1 Warranty Policies


ePropulsion warrants its products to be free of defects in material and workmanship for a limited period since the date of purchase. Once a fault is discovered, the user has the right to make a warranty claim under the ePropulsion warranty policies.

Product	Warranty Expiry Date
NAVY 3.0 Evo NAVY 6.0 Evo	<b>Two years</b> after the date of purchase (uncommercial).
Components have been repaired or replaced	<b>Three months</b> since the date of maintenance. Note: 1. If the three-month period overlaps with the original warranty period, the warranty against these replaced or repaired parts still expires two years after the date of purchase. 2. If the three-month period exceeds the original warranty period, the repaired or replaced parts continue applying to warranty during the extended period.




 In order to validate the warranty, users are required to fill in the Warranty Card in the package in advance.

 Keep the product label in intact state and record the serial number on the label. Never tear the label off the product. An ePropulsion product without the original product label will not be applicable to warranty services provided by ePropulsion.

 The warranty is valid only when the information is correct and complete.

 Free warranty is only validated upon the presentation of legal serial number, Warranty Card, and evidence of purchase from an authorized ePropulsion dealer.



-  Valid date of purchase should be established by the first-hand purchaser with original sales slip.
-  Free warranty is not transferable and will not be reissued.
-  Within the limits of the applicable laws, the warranty policies of ePropulsion may update without prior notice. The latest version is available at our website [www.epropulsion.com](http://www.epropulsion.com).


## 16.2 Out of Warranty

Make sure the product is properly packed during delivery, the original ePropulsion package is recommended. If the product got further damaged due to improper packing during delivery, the furtherly damaged part will be deemed as out of warranty coverage.

In addition, faults or damages caused by the following reasons are also excluded from warranty scope within the covered period:

- Any improper operation contradicts the user manual.
- Accident, misuse, wishful abuse, physical damage overcharging, liquid damage or unauthorized repair.
- Dropping, improper care or storage.


 You should be noted that minor faults like normal wear and tear that pose no influence on the intended function of the product are also not covered by the warranty.

 Consumables are out of warranty scope.

## 16.3 Warranty Claim Procedures

If you find your product defective, you can make a claim to your dealer following below procedures:

1. Fill in the Warranty Card correctly and completely in advance. Then make your warranty claim by sending it to your authorized ePropulsion service partner together with valid proof of purchase. Usually these documents are required when making a warranty claim: the Warranty Card, ex-factory serial number, and evidence of purchase.

2. Send the defective product to your authorized ePropulsion service point after getting the confirmation. Note that the label should be kept intact. You can also deliver the product to your authorized ePropulsion dealer after getting confirmation.
  3. The defective components or parts will be either repaired or replaced according to the diagnosis made by the ePropulsion authorized service partner.
  4. If your warranty claim is accepted, the equipment will be repaired or replaced free of charge. Note that any delivery cost incurred in the process is at your charge.
  5. After careful examination and confirmation by ePropulsion authorized dealer, the defective or faulty components will be repaired or replaced with brand new ones against the actual condition.
  6. In case your warranty claim be rejected, an estimated repair charge with round trip delivery cost will be sent for confirmation. ePropulsion authorized service point will conduct maintenance accordingly only after your confirmation.
-  If warranty expires, you can still enjoy maintenance services from authorized ePropulsion service partners with minimum maintenance charge.

## Einleitung

---

Für Ihren Kauf von sowie Ihr Vertrauen in ePropulsion Produkte und unser Unternehmen bedanken wir uns herzlich. Wir haben uns zum Ziel gesetzt, umweltfreundliche, sichere und zuverlässige elektrische Außenborder und Bootsantriebe herzustellen. Für weitere Informationen besuchen Sie unsere Website: [www.epropulsion.com](http://www.epropulsion.com).

## Über diese Bedienungsanleitung

---

Vor der Verwendung des Produkts lesen Sie bitte sorgfältig diese Bedienungsanleitung (nachfolgend „Handbuch“ genannt), um eine ordnungsgemäße und sichere Bedienung zu gewährleisten. Mit der Verwendung dieses Produkts erklärt der Benutzer, dieses Handbuch vollständig gelesen und verstanden zu haben. Vor der Inbetriebnahme lesen Sie bitte sorgfältig dieses Handbuch und machen Sie sich mit den Funktionen und Eigenschaften des elektrischen Außenborders vertraut. Den Außenborder niemals an Personen verleihen, die sich mit der Bedienung nicht auskennen. ePropulsion übernimmt keine Verantwortung für Personen- und Sachschäden, die durch Nichtbeachtung des Handbuchs entstehen.

Zur Verbesserung unserer Produkte behalten wir uns das Recht vor, Inhalte dieses Handbuchs zu ändern. Ebenfalls gehören alle geistigen Eigentumsrechte, einschließlich (jedoch nicht beschränkt auf) aller Urheberrechte, Patente, Markenzeichen und Designs ausschließlich der Fa. ePropulsion.

Dieses Handbuch unterliegt unregelmäßigen Änderungen. Für die aktuelle Version besuchen Sie bitte unsere Website: [www.epropulsion.com](http://www.epropulsion.com). Falls Sie Abweichungen zwischen Ihrem Produkt und den Beschreibungen dieses Handbuchs feststellen oder Fragen zum Produkt oder Handbuch haben, besuchen Sie bitte unsere Website [www.epropulsion.com](http://www.epropulsion.com) oder nehmen Sie Kontakt mit uns auf. Das alleinige Recht für die Erklärung zum Inhalt dieses Handbuchs ist ePropulsion vorbehalten. Dieses Handbuch ist in verschiedenen Sprachen vorhanden. Bei Abweichungen dient die englische Version als Orientierung.

## Symbole

---

Beim Lesen dieses Handbuchs beachten Sie bitte die folgenden Symbole:



Wichtige Hinweise und Warnungen



Nützliche Informationen zum Gebrauch

# Produktkennzeichnung

Die Seriennummer des Produkts dient als Nachweis bei der Inanspruchnahme der Garantie- und Reparaturservices. Die Position der Seriennummern der Außenborde-Modelle Navy 6.0 Evo und Navy 3.0 Evo entnehmen Sie der folgenden Abbildung. Bitte notieren Sie diese Nummern und bewahren Sie sie auf. Das Typenschild darf auf keinen Fall entfernt werden, da die Garantie des Produkts sonst erlischt.

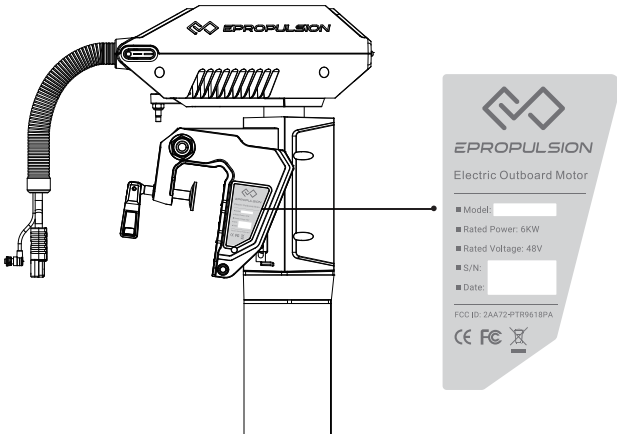


Abb. 0-1

# Inhaltsverzeichnis

---


<b>Einleitung</b> .....	<b>57</b>
<b>Über diese Bedienungsanleitung</b> .....	<b>57</b>
<b>Symbole</b> .....	<b>57</b>
<b>Produktkennzeichnung</b> .....	<b>58</b>
<b>1 Produktübersicht</b> .....	<b>62</b>
1.1 Lieferumfang .....	62
1.2 Bauteile und Bezeichnungen .....	65
1.3 Technische Daten .....	66
1.4 Wichtige Hinweise .....	67
1.5 Konformitätserklärung .....	68
<b>2 Vorbereitung der Batterie und des Propellers</b> .....	<b>69</b>
2.1 Auswahl der Batterie .....	69
2.2 Einbau des Propellers .....	70
<b>3 Einbau des Außenborders</b> .....	<b>72</b>
3.1 Einbauposition .....	72
3.2 Einbau des Außenborders .....	73
3.3 Einbau der Lenkung .....	74
3.4 Einbau der Evo Pinne .....	74
<b>4 Anschluss der Batterie</b> .....	<b>76</b>
4.1 Anschluss einer 48-V-Batterie .....	76
4.2 Anschluss der E-Serie-Batterien .....	77
4.3 Reihen-/Parallelschaltung der Batterien .....	78
<b>5 Evo Fernsteuerung / Evo Pinne</b> .....	<b>80</b>
5.1 LCD-Display .....	80
5.2 Laden .....	85
5.2.1 Laden über Solarenergie (empfohlen) .....	85
5.2.2 Laden über Ladekabel .....	85
5.3 Leistungseinstellung .....	87
5.3.1 Leistung einstellen .....	87
5.3.2 Kalibrieren .....	88

5.4 Reißleinenschalter einsetzen.....	89
5.5 Sicherheitsarmband einsetzen.....	90
5.5.1 Registrierung des Sicherheitsarmbands mit der Evo Fernsteuerung / Evo Pinne (Kopplung).....	90
5.5.2 Mann-über-Bord-Schutz.....	90
5.5.3 Not-Aus.....	90
5.6 Registrierung der Evo Fernsteuerung im Außenborder (Kopplung) ...	91
5.7 Rekuperation.....	94
5.8 Warnmeldungen .....	95
<b>6 Konfiguration.....</b>	<b>98</b>
6.1 Benutzerdefinierte Einstellungen .....	98
6.2 Batteriekonfiguration .....	99
<b>7 Kontrolle vor dem Betrieb .....</b>	<b>102</b>
<b>8. Außenborder starten .....</b>	<b>103</b>
<b>9 Außenborder stoppen .....</b>	<b>104</b>
<b>10 Trimmwinkel-Einstellung .....</b>	<b>105</b>
<b>11 Bodenschutzmodus.....</b>	<b>107</b>
<b>12 Verbindungskabel durch den Faltenbalg führen .....</b>	<b>108</b>
<b>13 Wartung.....</b>	<b>110</b>
13.1 Wichtige Hinweise.....	110
13.2 Wartungsplan .....	110
13.3 Wartung des Propellers .....	111
13.4 Anode ersetzen .....	111
<b>14 Transport und Lagerung.....</b>	<b>113</b>
14.1 Transport.....	113
14.2 Aufstellen.....	113
14.3 Lagerung .....	113
<b>15 Notfall-Maßnahmen .....</b>	<b>114</b>
15.1 Zusammenstöße unter Wasser.....	114
15.2 Ins Wasser fallen.....	114
15.3 Batterie-Unterspannung.....	114
15.4 Übertemperatur .....	114

**16 Gewährleistung..... 115**  
16.1 Garantiebedingungen..... 115  
16.2 Von der Garantie ausgenommen ..... 116  
16.3 Abwicklung eines Garantiefalls ..... 116

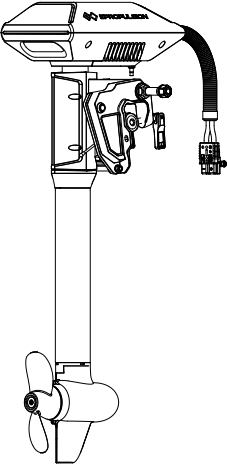
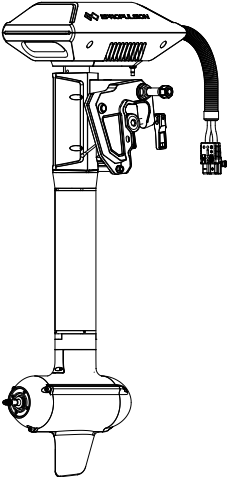
# 1 Produktübersicht

Der Navy 6.0 Evo ist ein elektrischer Außenbordmotor mit einer Leistungsaufnahme von 6 kW. Der elektrische Außenbordmotor Navy 3.0 Evo hat eine Leistungsaufnahme von 3 kW. Beide Geräte können sowohl mit der Evo Fernsteuerung als auch mit der Evo Pinne angesteuert werden.

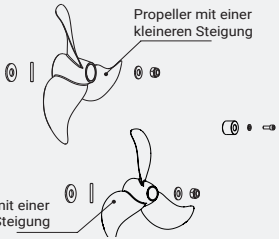
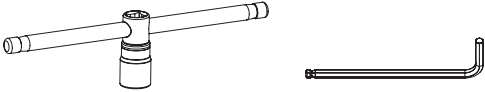
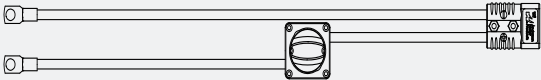
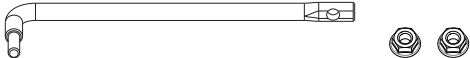
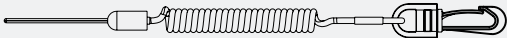
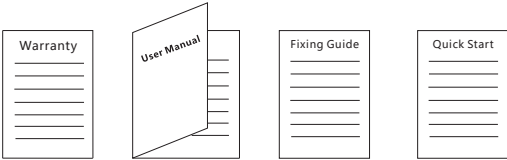
 Um diesen Außenborder zu bedienen, benötigen Sie eine Evo Pinne oder eine Evo Fernsteuerung, die nicht im Lieferumfang des Navy Evo Außenborders enthalten sind. Von einem Vertragshändler der Fa. ePropulsion können Sie diese Geräte erwerben.


## 1.1 Lieferumfang


Nach dem Öffnen der Verpackung überprüfen Sie bitte das Gerät auf mögliche Transportschäden. Bitte überprüfen Sie weiterhin die Vollständigkeit des Lieferumfangs anhand der folgenden Liste. Bei Transportschäden oder fehlenden Teilen nehmen Sie bitte Kontakt mit Ihrem zuständigen Vertragshändler auf.


Bezeichnung	Anzahl	Beschreibung
Außenborder	1 Stück	 NAVY 3.0 Evo  NAVY 6.0 Evo



Bezeichnung	Anzahl	Beschreibung
Propeller (Standard-Zubehör des Navy 6.0 Evo)	2 Satz	 <p>Propeller mit einer kleineren Steigung</p> <p>Propeller mit einer größeren Steigung</p>
Schlüssel	1 Satz	 <p>19-mm-Schlüssel</p> <p>M6-Schlüssel</p>
Netzkabel Haupt- schalter	1 Stück	
Winkelstange	1 Satz	
Trageband Pinne- nachse	1 Stück	
Handbuch, Garan- tiekarte, Qualitäts- zertifikat für den Außenborder und Einladungskarte für die Außenbor- der-Community	1 Satz	 <p>Warranty</p> <p>User Manual</p> <p>Fixing Guide</p> <p>Quick Start</p>

 Um diesen Außenborder zu betreiben, benötigen Sie auch andere Zubehörteile wie die Evo Steuerung, eine Batterie, ein Ladegerät und Verbindungskabel. Benutzer können bei Vertragshändlern der Fa. ePropulsion Original-Zubehör erwerben, wie zum Beispiel Evo Fernsteuerungen, Evo Pinnen, E-Serie-Batterien sowie Ladegeräte und Verbindungskabel.

 Achten Sie darauf, dass der Propeller des Modells Navy 3.0 Evo bei der Lieferung ab Werk bereits eingebaut ist. Im Lieferumfang des Navy 6.0 Evo sind zwei Propellergrößen enthalten. Der eine Propeller hat eine größere Steigung (schnell laufend): Durchmesser 320 mm, Schaufelabstand 10,8 Inch und der andere hat eine kleinere Steigung (langsam laufend): Durchmesser 340 mm, Schaufelabstand 8,5 Inch.

 Für eine ordnungsgemäße Lagerung des Außenborders bewahren Sie bitte die Original-Verpackung auf.

# 1.2 Bauteile und Bezeichnungen

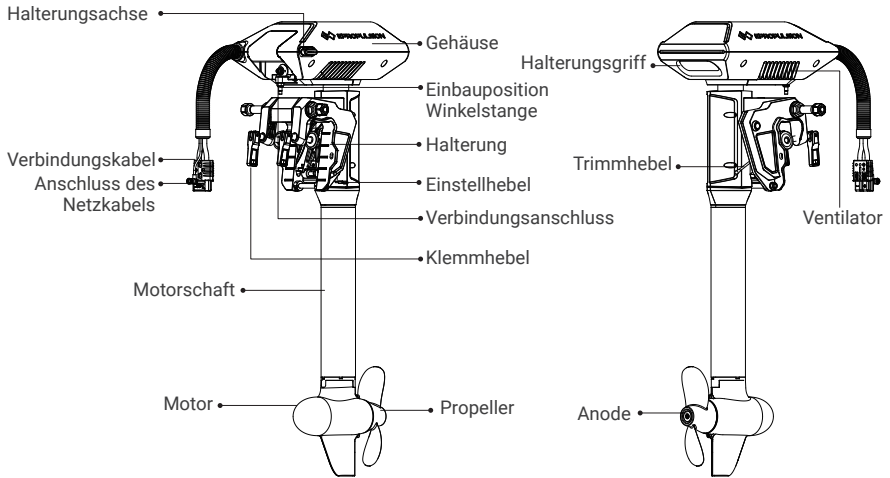


Abb. 1-1 Navy 3.0 Evo

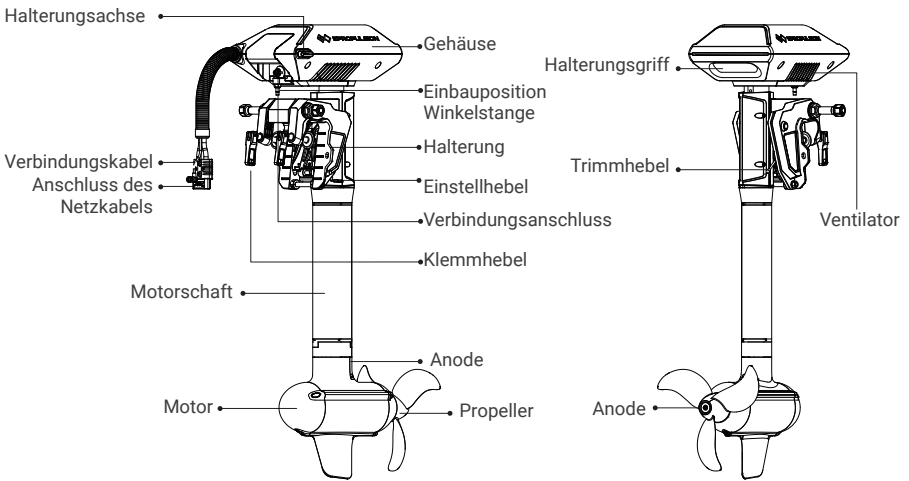


Abb. 1-2 Navy 6.0 Evo

## 1.3 Technische Daten

	Navy 3.0 Evo-S/L	Navy 6.0 Evo-S/L
Typ	Elektrischer Außenborder	
Leistungsaufnahme	3 kW	6 kW
Nennspannung	48 V	
Eingangsspannungsbereich	39 V – 60 V DC	39 V – 60 V DC
Äquivalente Antriebsleistung	6 PS	9,9 PS
Max. Gesamtleistung	51 %	57 %
Nenn Drehzahl (vorwärts)	2300 1/min	1500 1/min
Kompatible Steuerungen	Evo Fernsteuerung / Evo Pinne / Evo seitliche Fernsteuerung / Evo Doppel-Fernsteuerung	
Abmessungen (L x T x H)	437 x 314 x 1049 (S) / 1174 (L) (mm)	547 x 314 x 1087 (S) / 1212 (L) (mm)
Schaftlänge	634 mm (S) / 759 mm (L)	
Nettogewicht	24,3 kg (S) / 25,1 kg (L)	36 kg (S) / 36,8 kg (L)
Trimmwinkel	Manuell in 4 Schritten: 0°, 5°, 10°, 15°	
Tiltwinkel	manuell: 60°	
Propeller	10,2" x 6,7" zwei Schaufeln aus CFK	12,6" x 10,8" drei Schaufeln aus CFK / 13,4" x 8,5" drei Schaufeln aus CFK 12,6" x 8,7" drei Schaufeln aus Metall (optional)
Umgebungstemperatur bei Betrieb/Lagerung	-10 °C – 45 °C	

## 1.4 Wichtige Hinweise

1. Vor jeder Fahrt den Zustand des Außenborders und den Batteriestand kontrollieren.
2. Die angezeigten Distanzen und Geschwindigkeiten werden durch GPS bestimmt. Bei schwachem oder durch äußerliche Faktoren (Strömungen, Wind usw.) gestörtem GPS-Empfang können Abweichungen entstehen.
3. Den Außenborder nicht von oben bedecken, um Einflüsse auf den GPS-Empfang zu vermeiden.
4. Machen Sie sich mit der Bedienung des Außenborders vertraut, dazu gehören Starten, Lenken, Stoppen, Trimmwinkel-Einstellung und Neigung.
5. Das Gerät darf nur von Erwachsenen bedient werden, die dieses Handbuch vollständig gelesen und verstanden haben.
6. Nach den Angaben des Bootherstellers einen passenden Außenborder auswählen. Überbelastung des Bootes oder des Außenborders vermeiden.
7. Wenn Personen während der Fahrt über Bord fallen, den Außenborder sofort stoppen.
8. Auf die Sicherheit der Batterie achten. Die Batterie darf nicht ins Wasser fallen oder einen Kurzschluss haben.
9. Die Bedienungsanweisungen und Sicherheitshinweise für die Batterie beachten, insbesondere Hinweise über Kurzschluss, Überhitzung, Überladung und Tiefentladung.
10. Der Propeller darf nicht im Leerlauf arbeiten.
11. Nach der Fahrt den Außenborder aus dem Wasser nehmen.
12. Nach dem Betrieb im Salzwasser spülen Sie den Außenborder sofort mit Frischwasser ab.
13. Alle zwei Monate sämtliche elektrische Kontakte mit Kontaktspray behandeln.
14. Wenn das Boot von anderen Antriebsarten angetrieben wird, zum Beispiel durch Segeln oder Paddeln, und eine Geschwindigkeit von über 30 km/h erreicht, dann darf der Außenborder nicht im Wasser bleiben.
15. Wenn eine Störung beim Außenborder anliegt, wird eine Fehlermeldung auf dem Display der Evo Steuerung angezeigt. Den Gashebel in die NULL-Position bringen und den Hauptschalter ausschalten. Danach im Kapitel 5.8 „Warnmeldungen“ nach den entsprechenden Beschreibungen und Maßnahmen suchen.
16. Für die Sicherheit während des Betriebs wird das System automatisch ausgeschaltet, wenn der Motor bzw. der Antrieb überhitzt oder wenn die Batteriespannung zu niedrig ist.

17. Der Propeller und die Lenkung werden vom Benutzer selbst eingebaut. Für andere Einbau- oder Ausbauarbeiten beauftragen Sie bitte Ihren Vertragshändler. Für jegliche durch Nichtbeachtung dieses Handbuchs entstehende Schäden oder Störungen übernimmt ePropulsion keinerlei Verantwortung.

## 1.5 Konformitätserklärung

**Folgendes Produkt:** Elektrischer Außenborder

**Modelle:** Navy 6.0 Evo, Navy 6.0 Evo-L, Navy 6.0 Evo-S, Navy 6.0 Evo-C, Navy 3.0 Evo, Navy 3.0 Evo-L, Navy 3.0 Evo-S, Navy 3.0 Evo-C

**Firmenbezeichnung:** Guangdong ePropulsion Technology Limited

**Firmenanschrift:** Room 201, Bldg. 17A, 4th Xinzhu Road, Songshan Lake District, Dongguan City, Guangdong Province, China

### entspricht den Bestimmungen der folgenden Richtlinien:

EMV-Richtlinie 2014/30/EU (Richtlinie über die elektromagnetische Verträglichkeit)

Maschinenrichtlinie 2006/42/EU

RED-Richtlinie 2014/53/EU (Funkanlagen-Richtlinie)

FCC (Federal Communications Commission Regulations) Part 15, Voraussetzungen: Dieses Gerät verursacht keine gefährlichen Störsignale und kann Störsignale empfangen, ohne dass es zu Funktionsbeeinträchtigungen kommt.

### Folgende Normen wurden angewandt:

EN 55014-1:2017

EN 300328:2019

EN 55014-2:2015

EN 50663:2017

EN 61000-3-2:2014

EN 62368-1:2014+A1:2017

EN 61000-3-3:2013/A1:2019

EN 60204-1:2018

EN 301489-1:2019

EN ISO 12100:2010

EN 301489-3:2019

FCC Part 15, Voraussetzungen: Dieses Gerät verursacht keine gefährlichen Störsignale und kann Störsignale empfangen, ohne dass Funktionsbeeinträchtigungen auftreten.

Unterschrift:



Shizheng Tao (CEO und Mitgründer der Guangdong ePropulsion Technology Limited).

# 2 Vorbereitung der Batterie und des Propellers

## 2.1 Auswahl der Batterie



Wir empfehlen die LiFePO<sub>4</sub>-Batterien von ePropulsion.

Lithium-Ionen-Batterien und Blei-Säure-Batterien können auch als Stromquelle des Navy Evo Außenborders dienen. Aufgrund von hoher Energiedichte und Entladeleistung besitzen Lithium-Ionen-Batterien bessere Eigenschaften als Blei-Säure-Batterien. Die Batterien müssen einen Dauerentladestrom von 125 A (bei Navy 6.0 Evo) und 62,5 A (bei Navy 3.0 Evo) gewährleisten können, um einen Dauerbetrieb der Navy Evo Außenborder mit voller Leistung sicherzustellen. Die Kapazität der Batterie muss mindestens 6000 Wh (bei Navy 6.0 Evo) bzw. 3000 Wh (bei Navy 3.0 Evo) erreichen, um einen Dauerbetrieb von über 1 Stunde zu ermöglichen.

Der Nennwert des Dauerentladestroms hängt von dem Typ und der Anzahl der parallel geschalteten Batterien ab. Bei den Blei-Säure-Batterien sind herkömmliche Blei-Säure-Batterien, AGM oder Gel-Batterien möglich. Dagegen sind Start-Batterien nicht zu empfehlen. Antriebsbatterien oder Tiefzyklus-Batterien sind empfehlenswert, denn sie können über einen längeren Zeitraum ausreichende Energie sicherstellen. Zyklusfeste Bootsbatterien sind ebenfalls zulässig.

Die Batterieleistung bestimmt die Dauer und die Strecke der Fahrt. Ein Beispiel: Eine Batterie mit einer Nennspannung von 48 V kann in einer Stunde einen Dauerstrom von 125 A liefern. Die Nennleistung dieser Batterie beträgt daher  $125 \text{ Ah} \times 48 \text{ V} = 6000 \text{ Wh}$ . Die Nennkapazität der Batterie ist deshalb 125 Ah. Die maximale Leistung des Navy 6.0 Evo beträgt 6 kW. Das bedeutet, dass der Motor bei dieser Kapazität einen Dauerbetrieb von 1 Stunde mit voller Leistung gewährleisten kann. Deshalb sollen Sie nach Ihrem Bedarf in Abhängigkeit von Fahrdauer und Strecke eine Batterie mit passender Kapazität aussuchen. Bitte achten Sie darauf, dass Fahrdauer und Strecke nicht nur von der Leistungsaufnahme des Außenborders, sondern auch von äußeren Faktoren und der Temperatur abhängig sind. Darüber hinaus spielen der Typ und die Last des Bootes eine entscheidende Rolle.

Vier 12-V-Batterien können in Reihe geschaltet werden, um einen 48-V-Akku für die Stromversorgung des Navy Evo Außenborders herzustellen. Die Kapazität kann auch durch parallel geschaltete Batterien vergrößert werden.

**!** Bei der Verwendung von E-Serie-Batterien der Fa. ePropulsion ist ein einwandfreier Betrieb gewährleistet, wenn die Batterie richtig angeschlossen ist. Bei der Verwendung von E-Serie-Batterien anderer Hersteller muss der Benutzer vor der Erstinbetriebnahme über die Evo Fernsteuerung bzw. Evo Pinne die Batteriekonfiguration manuell durchführen, um den Batteriestand genauer anzeigen zu lassen.

**!** Für die Reihen- oder Parallelschaltung müssen baugleiche Batterien verwendet werden. Das Modell, die Kapazität, das Baujahr und der Hersteller müssen identisch sein. Eine Nichtbeachtung führt zu Batterieschäden.

## 2.2 Einbau des Propellers

Beim Navy 3.0 Evo ist der Propeller bei der Lieferung ab Werk bereits eingebaut. Nachfolgend wird beschrieben, wie Sie einen bereits eingebauten Propeller ersetzen und einen neuen Propeller einbauen.

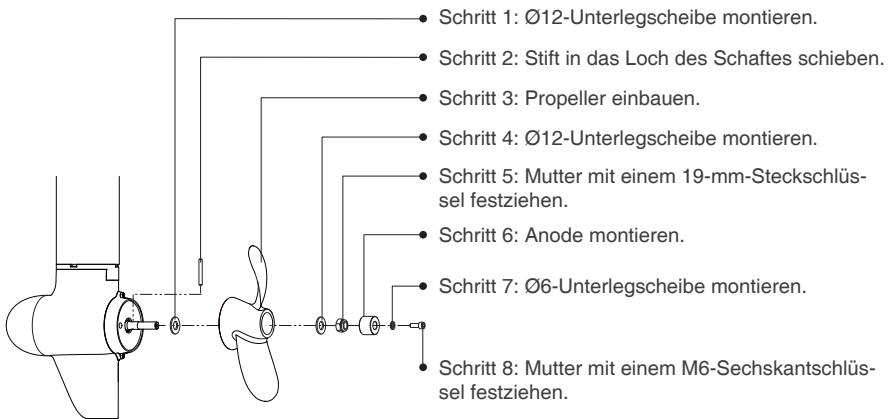


Abb. 2-1

Für Navy 6.0 Evo Außenborder stehen zwei Propellertypen zur Verfügung. Benutzer müssen vor der Inbetriebnahme den Propeller selbst einbauen. Je nach Voraussetzungen kann der Benutzer einen passenden Propeller auswählen. Für schwere Boote mit einem großen Antrieb eignen sich Propeller mit kleinerer Steigung. Im Gegensatz dazu eignen sich Propeller mit einer größeren Steigung für leichte und schnelle Boote. Im Lieferumfang des Navy 6.0 Evo sind zwei Propeller mit jeweils einer kleineren Steigung und einer größeren Steigung enthalten. Der Propeller mit der kleineren Steigung und größerem Durchmesser kann einen größeren Antrieb bei kleiner Geschwindigkeit



erzeugen. Dadurch erzielt der Motor bei einer niedrigen Geschwindigkeit höhere Betriebsleistung. Im Gegensatz dazu erzeugt ein Propeller mit einer größeren Steigung angemessenen Antrieb, der für eine schnelle Fahrt des Bootes wichtig ist. Bei einer Bootsgeschwindigkeit von mehr als 15 km/h ist der Propeller mit größerer Steigung besser geeignet, denn er hat nur eine begrenzte Leistung bei niedriger Geschwindigkeit.

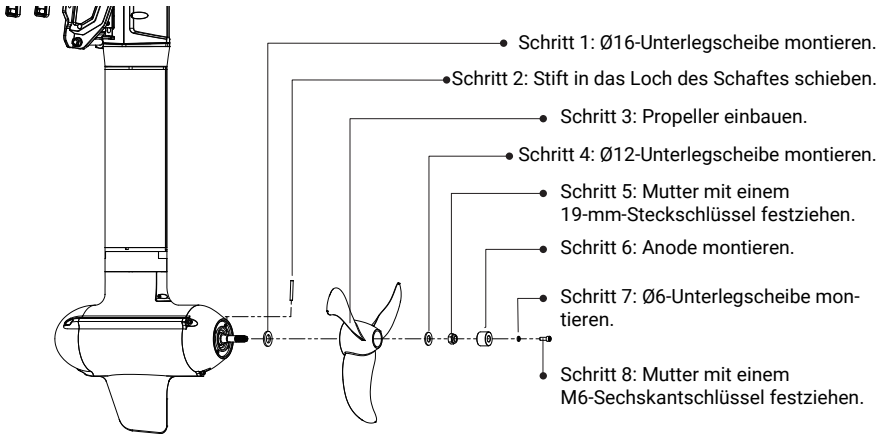


Abb. 2-2

# 3 Einbau des Außenborders

Der Außenborder muss auf der Linie in der Mitte des Bootes eingebaut werden. Bei Booten mit asymmetrischen Formen konsultieren Sie bitte Ihren Vertragshändler für die beste Einbauposition. Je nach Höhe des Heckspiegels einen Außenborder mit der passenden Schaftlänge auswählen. Die Oberkante des Propellers muss sich 100 bis 150 mm unter dem Wasserspiegel befinden.

## 3.1 Einbauposition

Die Einbauhöhe des Außenborders hat einen großen Einfluss auf die Fahrgeschwindigkeit. Bei einer zu hohen Einbauhöhe kann Kavitation entstehen, was zur Geschwindigkeitssenkung, Energieverschwendung und Propellerschäden führen kann. Bei einer zu niedrigen Einbauhöhe können die Fahrgeschwindigkeit und die Betriebsleistung des Motors durch Wasserwiderstand negativ beeinflusst werden.

Die ideale Einbauhöhe hängt vom Boot ab. Um diese Höhe zu bestimmen, empfehlen wir, bei unterschiedlichen Einbauhöhen Testfahrten durchzuführen. Bei Fragen können Sie jederzeit Kontakt mit uns aufnehmen.

Heckspiegelhöhe/Anwendungen	Empfohlene Modelle
400 mm – 500 mm	Navy 3.0 Evo-S / Navy 6.0 Evo-S
> 500 mm	Navy 3.0 Evo-L / Navy 6.0 Evo-L

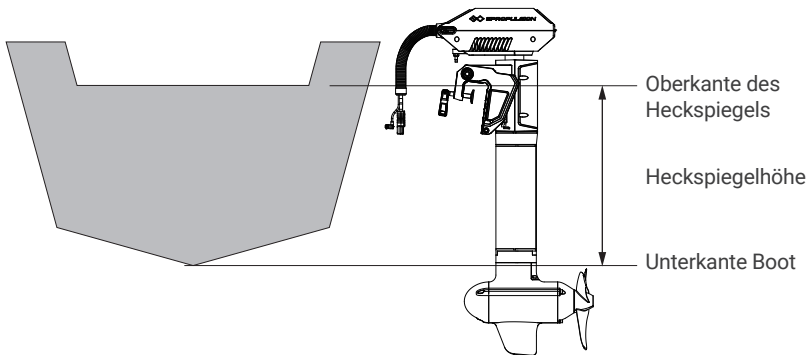


Abb. 3-1 Navy 6.0 Evo

## 3.2 Einbau des Außenborders

### Variante 1

Den Klemmhebel der Haltung im Uhrzeigersinn drehen, um den Außenborder auf dem Spiegel zu befestigen.

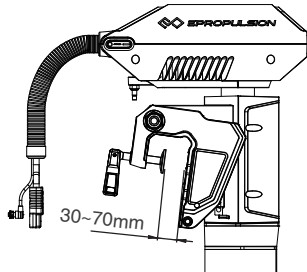


Abb. 3-2

### Variante 2

Den Außenborder mit zwei Schrauben im Rumpf einbauen. Abmessungen der Einbauöffnungen siehe Abbildung unten.

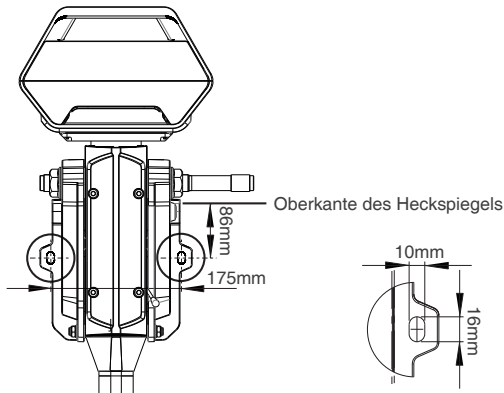




Abb. 3-3

 Sicherstellen, dass die Halterung des Außenborders arretiert ist. Beim Lösen des Klemmhebels kann der Außenborder ins Wasser fallen und dabei beschädigt werden. Vor jedem Betrieb die Schrauben oder den Klemmhebel der Halterung auf festen Sitz kontrollieren. Sie können sich durch Vibration lösen.

 Es wird empfohlen, den Außenborder zusätzlich mit einem Seil oder einer Kette zu sichern. Das Seil an einem festen Anschlagpunkt im Boot befestigen.

### 3.3 Einbau der Lenkung



Bohrungen anhand der Schablone an den richtigen Stellen herstellen. Die Evo Fernsteuerung vor der Inbetriebnahme durch die Bohrungen befestigen.

Bei Verwendung der Evo Fernsteuerung ein Lenkrad bereitstellen (nicht im Lieferumfang des Navy Evo Außenborders oder der Evo Fernsteuerung enthalten) und an dem richtigen Einbauort für die Lenkung des Bootes befestigen.

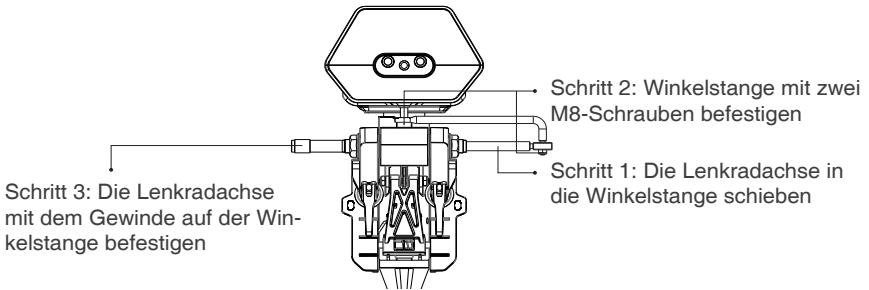


Abb. 3-4

### 3.4 Einbau der Evo Pinne

1. Die Pinnenachse gegen den Uhrzeigersinn drehen. Zusammen mit dem Deckel herausziehen

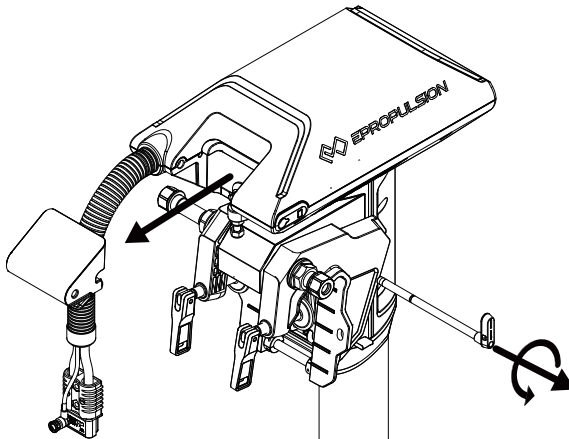


Abb. 3-5

2. Die Evo Pinne in die vorgegebene Position des Motors einbauen.

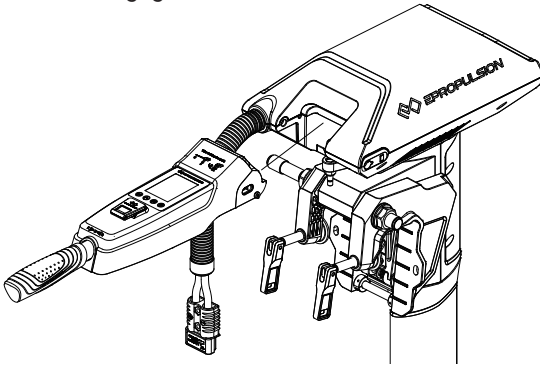


Abb. 3-6

3. Die Pinnenachse bis zum Anschlag in die Öffnung schieben und gegen den Uhrzeigersinn festschrauben.

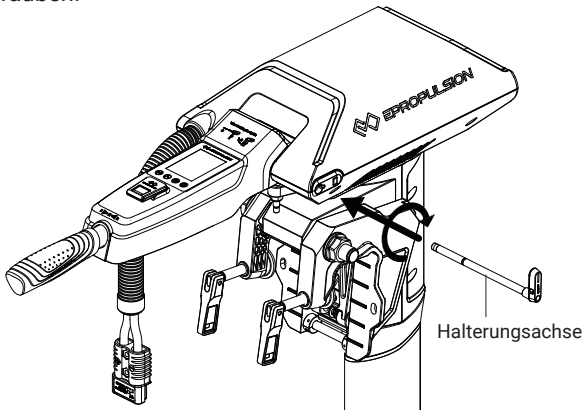


Abb. 3-7

4. Das Verbindungskabel der Evo Pinne in die vorgesehene Buchse stecken.

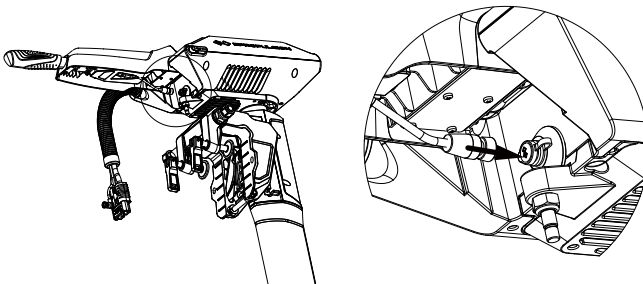


Abb. 3-8

# 4 Anschluss der Batterie

## 4.1 Anschluss einer 48-V-Batterie

Vor dem Anschluss der Batterie muss sichergestellt werden, dass der Hauptschalter ausgeschaltet ist.

1. Den Hauptschalter mit der Batterie verbinden.
2. Das Netzkabel des Hauptschalters mit dem Netzkabel des Außenborders verbinden.

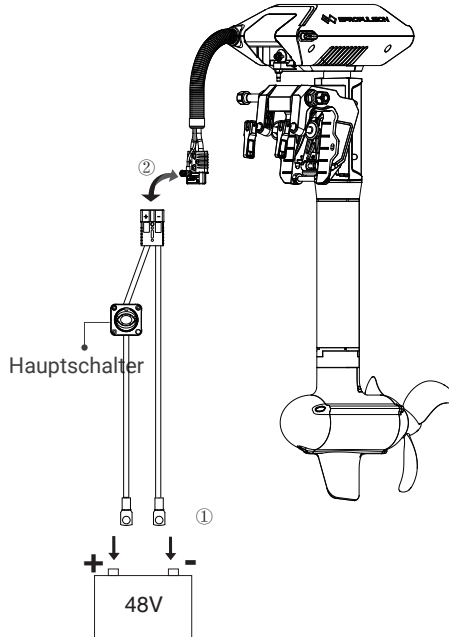


Abb. 4-1

- ⚠️ Kurzschluss der Batterie vermeiden.
- ⚠️ Unterbricht die Stromversorgung, wird der Außenborder gestoppt.
- ⚠️ Kurzschluss zwischen dem Hauptschalter und anderen Stromquellen vermeiden. Der Hauptschalter muss im Boot fest eingebaut werden. Die Rückwand des Hauptschalters darf niemals entfernt werden.
- 💡 Vor dem Betrieb den Hauptschalter im Uhrzeigersinn drehen, um die Spannungsversorgung der Batterie einzuschalten.



Die Kapazität kann auch durch mehrere parallel geschalteten Batterien vergrößert werden.



Nach einem langen Einsatz können sich die Verbindungsschrauben des Hauptschalters und Netzkabels lösen. Lockere Verbindungsschrauben verursachen Wackelkontakte. Zur Fehlerbehebung öffnen Sie die Rückwand des Schalters und ziehen Sie die Schrauben wieder fest.

## 4.2 Anschluss der E-Serie-Batterien

Vor dem Anschluss der Batterie muss sichergestellt werden, dass der Hauptschalter ausgeschaltet ist.

1. Batterien mit Verbindungs- und Überbrückungskabeln parallel schalten.
2. Den Hauptschalter mit der E-Serie-Batterie verbinden.
3. Den Steckverbinder des Hauptschalter-Netzkabels mit dem Steckverbinder des Außenborder-Netzkabels verbinden.
4. Die E-Serie-Batterie mit dem Verbindungskabel an den Navy Evo Außenborder anschließen.



Für genauere Batterie-Daten werden Verbindungskabel für Kommunikationszwecke empfohlen.

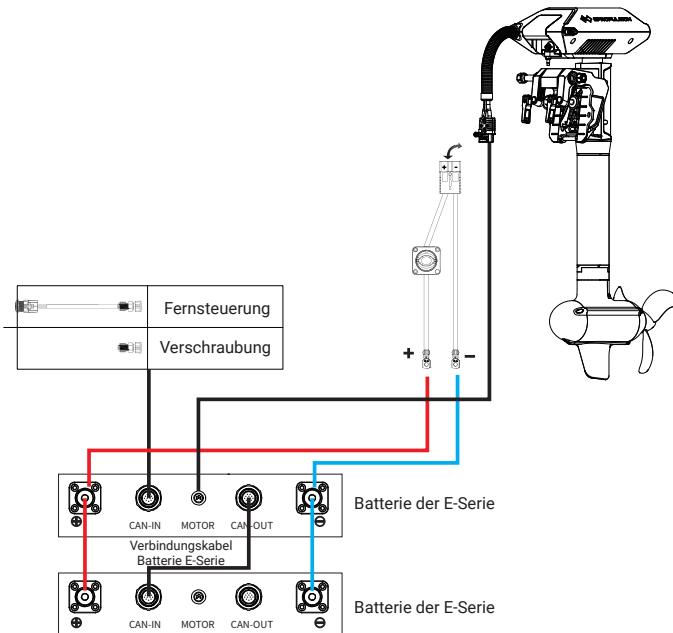









Abb. 4-2

-  Kurzschluss der Batterie vermeiden.
-  Wird das Verbindungs- oder das Netzkabel unterbrochen, wird der Außenborder sofort gestoppt.
-  Kurzschluss zwischen dem Hauptschalter und anderen Stromquellen vermeiden. Der Hauptschalter muss im Boot fest eingebaut werden. Die Rückwand des Hauptschalters darf niemals entfernt werden.
-  Um zwei oder mehrere E-Serie-Batterien parallel zu schalten, werden spezielle Verbindungskabel für die E-Serie benötigt.
-  Vor dem Betrieb den Hauptschalter im Uhrzeigersinn drehen, um die Spannungsversorgung der Batterie einzuschalten.
-  Die Kapazität kann auch durch mehrere parallel geschaltete Batterien vergrößert werden.
-  Nach einem langen Einsatz können sich die Verbindungsschrauben des Hauptschalters und Netzkabels lösen. Lockere Verbindungsschrauben verursachen Wackelkontakte. Zur Fehlerbehebung öffnen Sie die Rückwand des Schalters und ziehen Sie die Schrauben wieder fest.

### **4.3 Reihen-/Parallelschaltung der Batterien**

Wie in Abbildung 4-3 dargestellt, vier 12-V-Batterien mit Verbindungskabeln in Reihe schalten. Dadurch einen 48-V-Batteriesatz für die Spannungsversorgung des Navy Evo Außenborders herstellen. Das mit + bezeichnete Verbindungskabel des Hauptschalters muss an den Pluspol der Batterie angeschlossen werden. Das zweite Kabel mit dem Minuspol der Batterie verbinden.



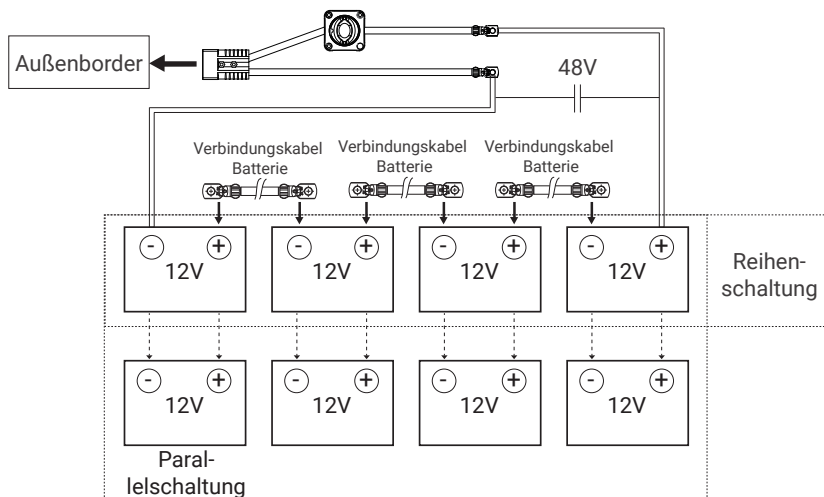


Abb. 4-3

- ⚠️ Kurzschluss zwischen dem Hauptschalter und anderen Stromquellen vermeiden. Der Hauptschalter muss im Boot fest eingebaut werden. Die Rückwand des Hauptschalters darf niemals entfernt werden.
- ⚠️ Für die Reihen- oder Parallelschaltung müssen baugleiche Batterien verwendet werden. Das Modell, die Kapazität, das Baujahr und der Hersteller müssen identisch sein. Eine Nichtbeachtung führt zu Batterieschäden.
- ⚠️ Die Polarität darf niemals vertauscht werden. Bei der Reihen- oder Parallelschaltung der Batterien besondere Vorsicht wahren. Nach der Arbeit die Schaltung noch einmal gemäß Abbildung 4-3 kontrollieren.

# 5 Evo Fernsteuerung / Evo Pinne

Die Evo Fernsteuerung / Evo Pinne dient zum Start/Stop des Außenborders, zur Einstellung der Fahrgeschwindigkeit und der Batterieparameter und zum Anzeigen der Systemmeldungen. Die Stromversorgung der Evo Fernsteuerung kann über eine Solaranlage oder integrierte Lithium-Ionen-Batterien erfolgen. Die Evo Pinne wird über Verbindungskabel vom Motor mit Strom versorgt. Die Evo Fernsteuerung kann über ein Kabel oder kabellos mit dem Außenborder kommunizieren. Die Evo Pinne kann nur über Kabel mit dem Außenborder verbunden werden. Bei der Evo Fernsteuerung wird auch ein Lenkrad benötigt. Die Evo Pinne besitzt bereits die Lenkfunktion.

## 5.1 LCD-Display

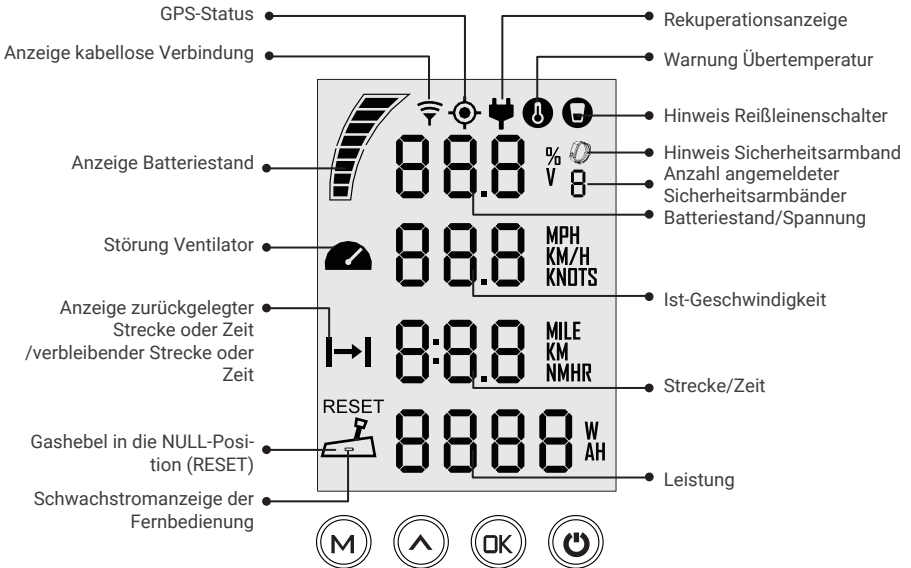
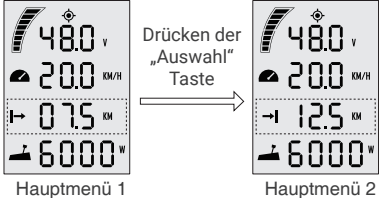
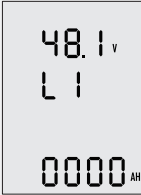
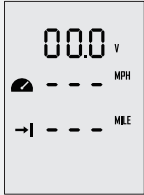
















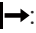




Abb. 5-1

Tasten	Funktionen
 „EIN/AUS“	<ol style="list-style-type: none"> <li>1. Im ausgeschalteten Zustand wird die Evo Fernsteuerung / Evo Pinne eingeschaltet, wenn die EIN/AUS-Taste gedrückt und kurz gehalten wird.</li> <li>2. Im eingeschalteten Zustand wird die Evo Fernsteuerung / Evo Pinne ausgeschaltet, wenn die EIN/AUS-Taste gedrückt und kurz gehalten wird.</li> <li>3. Im eingeschaltetem Zustand kann die Hintergrundbeleuchtung des Displays durch kurzes Drücken der EIN/AUS-Taste ein- bzw. ausgeschaltet werden.</li> </ol>
 „OK“	<ol style="list-style-type: none"> <li>1. Durch Drücken der „OK“ Taste im Setup-Menü kann die aktuelle Einstellung gespeichert werden. Die nächste Option wird dann ausgewählt.</li> <li>2. Durch langes Drücken der „OK“ Taste im Setup-Menü wird die aktuelle Einstellung gespeichert und anschließend zum Hauptmenü gewechselt.</li> <li>3. Wenn das Hauptmenü erscheint oder auf dem Display alle Zeichen zu sehen sind, kann durch langes Drücken (5 Sekunden) der „OK“ Taste zum Menü für die Kopplung der Evo Fernsteuerung / Evo Pinne gewechselt werden.</li> <li>4. Durch Drücken der „OK“ Taste im Hauptmenü kann die Anzeige zwischen „Spannung V“ und „Batteriestand %“ gewechselt werden.</li> </ol>

Tasten	Funktionen
<p style="text-align: center;"><b>V</b></p> <p style="text-align: center;">„Auswahl“</p>	<ol style="list-style-type: none"> <li>1. Im beliebigen Setup-Menü können durch Drücken der „<b>V</b>“ Taste die Optionen für das Setup angezeigt werden.</li> <li>2. Im eingeschalteten Zustand und beim Erscheinen des Hauptmenüs kann durch langes Drücken (10 Sekunden) der „<b>V</b>“ Taste zum Menü für die Kalibrierung des Gashebels gewechselt werden.</li> <li>3. Durch Drücken der „<b>V</b>“ Taste im Hauptmenü können die Anzeigen der Strecke oder Zeit zwischen Symbol „<b>→ </b>“ (verbleibend) und „<b>← </b>“ (zurückgelegt) gewechselt werden.</li> </ol> <div style="text-align: center;">  <p>Hauptmenü 1                      Hauptmenü 2</p> </div>
<p style="text-align: center;"><b>M</b></p> <p style="text-align: center;">„Menü“</p>	<ol style="list-style-type: none"> <li>1. Im eingeschalteten Zustand und beim Erscheinen des Hauptmenüs kann durch Drücken (kurz gedrückt halten) der „<b>M</b>“ Taste zum Menü der benutzerdefinierten Einstellungen gewechselt werden.</li> </ol> <div style="text-align: center;">  <p>Menü der benutzerdefinierten Einstellungen</p> </div> <ol style="list-style-type: none"> <li>2. Im Menü der benutzerdefinierten Einstellungen kann durch Drücken (kurz gedrückt halten) der „<b>M</b>“ Taste in das Setup-Menü für die Batterie gewechselt werden.</li> </ol> <div style="text-align: center;">  <p>Setup-Menü für die Batterie</p> </div> <ol style="list-style-type: none"> <li>3. Im beliebigen Menü kann durch Drücken der „<b>M</b>“ Taste zum Hauptmenü gewechselt werden.</li> </ol>

 Werden keine Änderungen zu den Parametern in diesem Menü vorgenommen, so werden die angezeigten Werte als Voreinstellungen für den Benutzer gespeichert.

Beschreibung	Funktionen	
	Batterie- stand Anzeige	Batteriestandsanzeige (ungefähr). Schwarze Felder zeigen verbleibende Batterieladung.
<b>48.0V</b>	Batterie- stand / Spannung	Genaue Anzeige des aktuellen Batteriestands (%) / Batteriespannung. Konfigurationen können im Menü der benutzerdefinierten Einstellungen vorgenommen werden. Beispiel: <b>100%</b> : digitale Darstellung des aktuellen Batteriestands. <b>48.0V</b> : Anzeige der aktuellen Batteriespannung.
	GPS-Status Anzeige	<ul style="list-style-type: none"> <li> Leuchtet nicht: kein Empfang oder GPS funktioniert nicht.</li> <li> Leuchtet dauerhaft: GPS-Empfang vorhanden.</li> </ul>
	Warnung Übertemperatur	<ul style="list-style-type: none"> <li> Leuchtet nicht: Temperatur im Normalbereich.</li> <li> Blinkend: Temperatur leicht erhöht, maximale Leistungsaufnahme des Motors wird gesenkt.</li> <li> Leuchtet dauerhaft: Temperatur zu hoch. Außenborder schaltet sich aus. Erst nach Erreichen einer niedrigeren Temperatur kann der Außenborder wieder eingeschaltet werden.</li> </ul>
	Reißleinen- schalter Status	<ul style="list-style-type: none"> <li> Leuchtet nicht: Reißleinenschalter eingebaut und System im Betrieb.</li> <li> Leuchtet dauerhaft: Reißleinenschalter nicht angeschlossen.</li> </ul>
<b>88.8</b> <small>MPH KM/H KNOTS</small>	Ist-Geschwindigkeit	Zeigt die Echtzeit-Fahrtgeschwindigkeit des Bootes an. Im „Unit Setting“ Menü kann die gewünschte Einheit (KM/H, MPH oder KNOTS) eingestellt werden.

Beschreibung	Funktionen	
	<p>Störung Ventilator</p>	<p> Blinkt: Ventilator hat Störung. Die Verdrahtung des Ventilators durch Ihren Vertragshändler überprüfen lassen.</p>
	<p>Anzeige Strecke / Zeit</p>	<p>Anzeige der Echtzeit-Strecke / Zeit. Im Menü „Unit Setting“ kann die gewünschte Einheit, MILE, KM (Kilometer) oder NM (Seemeile), eingestellt werden. Die Zeit wird in Stunden angezeigt.</p>
	<p>Zurückgelegte Strecke / verbleibende Strecke</p>	<p>: verbleibende Strecke oder Zeit. : zurückgelegte Strecke oder abgelaufene Zeit. Im Menü „Unit Setting“ kann die gewünschte Einheit, MILE, KM (Kilometer) oder NM (Seemeile), eingestellt werden. Die Zeit wird in Stunden angezeigt.</p>
	<p>Leistung Gashebel</p>	<p>Zeigt die Echtzeit-Leistung des Geräts an. Blinkendes Symbol bedeutet, dass der Gashebel in die NULL-Position geschaltet werden soll.</p>
	<p>Anzeige kabellose Verbindung</p>	<p>Zeigt an, dass zwischen der Evo Fernsteuerung und des Außenborders eine kabellose Verbindung besteht.</p>
	<p>Rekuperationsanzeige</p>	<p> Leuchtet dauerhaft: Rekuperation ist aktiviert.  Blinkt: Die Batterie wird vom Motor geladen.</p>
	<p>Verbindungsanzeige Sicherheitsarmband</p>	<p> Leuchtet dauerhaft: Das Sicherheitsarmband wurde erfolgreich mit der Evo Fernsteuerung / Evo Pinne verbunden.  Blinkt: Mindestens ein Sicherheitsarmband nicht verbunden. Die Zahl steht für die Anzahl der mit der Evo Fernsteuerung / Evo Pinne verbundenen Sicherheitsarmbänder.</p>

## 5.2 Laden

Die Evo Fernsteuerung besitzt eine integrierte Batterie als Stromversorgung. Beim normalen Betrieb wird die Batterie automatisch geladen, entweder über Solarenergie oder das Ladekabel.

### 5.2.1 Laden über Solarenergie (empfohlen)

Beim Empfang ausreichender Sonnenstrahlung auf dem Solarpanel wird die integrierte Lithium-Batterie automatisch geladen.

💡 Um eine schnellere Ladung zu gewährleisten, sollte das Solarpanel ins Sonnenlicht gestellt werden.

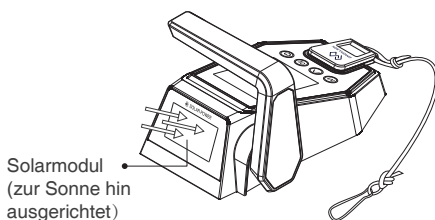


Abb. 5-2

💡 Es wird empfohlen, über das Solarpanel zu laden.

### 5.2.2 Laden über Ladekabel

Wenn die Evo Fernsteuerung über längere Zeit nicht genug Sonnenstrahlung bekommt, wird die Batterie weiter entladen. In diesem Fall erscheint auf dem Display der Evo Fernsteuerung der Fehlercode E60 (Abb. 5-3). Diese Warnmeldung weist darauf hin, dass die Evo Fernsteuerung geladen werden soll.



Abb. 5-3

In diesem Fall kann das Laden durch ein Ladekabel beschleunigt werden.  
Die Evo Fernsteuerung mit einem Verbindungskabel an das Kommunikationsmodul / den Antrieb des Außenborders anschließen. Die Verbindung zwischen der Batterie und dem Außenborder aufrechterhalten und die Stromversorgung einschalten.

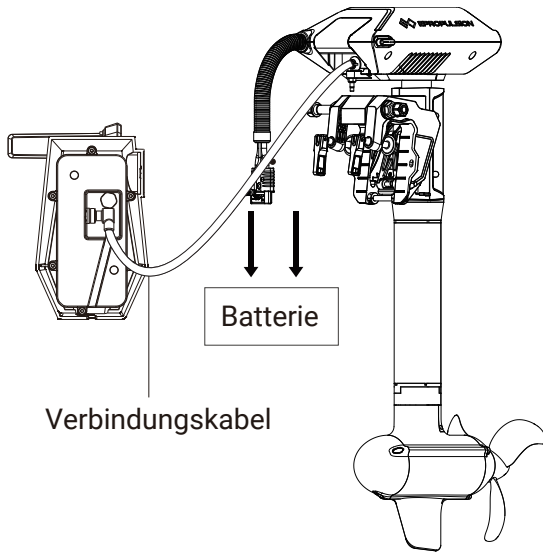







Abb. 5-4

-  Bei einer Langzeitlagerung sollte die Evo Fernsteuerung einmal alle sechs Monate vollständig aufgeladen werden, um eine Tiefentladung zu vermeiden.
-  Kurzschluss zwischen dem Hauptschalter und anderen Stromquellen vermeiden. Der Hauptschalter muss im Boot fest eingebaut werden. Die Rückwand des Hauptschalters darf niemals entfernt werden.
-  Vor der Inbetriebnahme nach einer Langzeitlagerung laden Sie die Evo Fernsteuerung zuerst vollständig auf.
-  Wenn Sie die Evo Fernsteuerung während des Ladens einschalten und damit den Außenborder ansteuern, wird der Außenborder sofort gestoppt, wenn die Kabelverbindung zwischen dem Motor und der Evo Fernsteuerung unterbrocht. In diesem Fall muss der Außenborder neu eingeschaltet werden.



## 5.3 Leistungseinstellung

### 5.3.1 Leistung einstellen

 Vor der Inbetriebnahme muss der Reißleinschalter auf die Evo Fernsteuerung aufgelegt werden.

Die Evo Fernsteuerung dient zum Einstellen der Leistungsaufnahme des Außenborders. Nach dem ordnungsgemäßen Anschluss der Batterie die Evo Fernsteuerung einschalten und den Außenborder starten. Den Gashebel anschließend langsam in die Position „Vorwärts“ bewegen, um die Leistung dadurch zu erhöhen. Maximale Vorwärts- und Rückwärtsleistung siehe Tabelle unten.

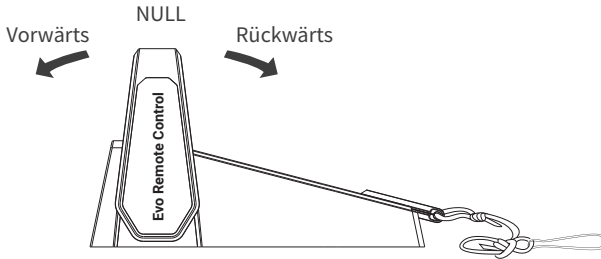


Abb. 5-5

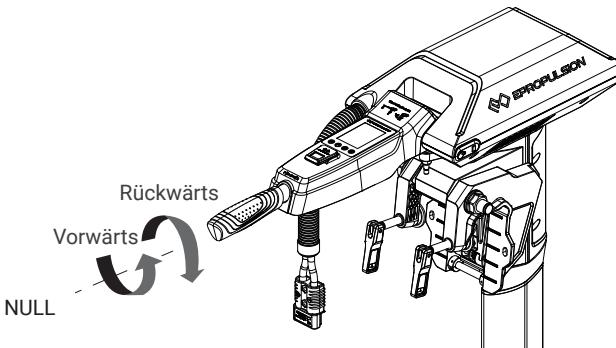





Abb. 5-6

Modell	Maximale Vorwärtsleistung	Maximale Rückwärtsleistung
Navy 3.0 Evo	3 kW	3 kW
Navy 6.0 Evo	6 kW	6 kW

 Vor dem Einschalten der Evo Fernsteuerung / Evo Pinne muss der Gashebel in die NULL-Position gebracht werden.

 Falls „RESET“ auf dem LCD-Display erscheint, muss der Gashebel in die NULL-Position gebracht werden.

 Wenn der Gashebel direkt von einer Vorwärts-Position in die Rückwärts-Position bewegt wird, wird der Außenborder zuerst für eine kürzere Zeit gestoppt, bevor er in die entgegengesetzte Richtung dreht.

### 5.3.2 Kalibrieren

Wenn der Fehlercode wie in der Abb. 5-7 auf dem Display erscheint, muss der Gashebel genau nach den unten beschriebenen Schritten kalibriert werden.






 Vor der Kalibrierung den zugehörigen Reißleinschalter auf die vorgesehene Position legen. Andere magnetische Gegenstände dürfen nicht als Ersatz für den Reißleinschalter verwendet werden.



Abb 5-7

Neukalibrierungsprozess	LCD-Display-Anzeigen
Schritt 1: Drücken Sie die Taste „  “ 10 Sekunden lang, bis „CAL FO“ angezeigt wird.	
Schritt 2: Bringen Sie den Geschwindigkeitsregler in die maximale Vorwärts-Stellung und drücken Sie dann die Taste „OK“. Es wird „CAL St“ angezeigt, wobei „CAL“ blinkt.	
Schritt 3: Ziehen Sie den Geschwindigkeitsregler in die mittlere (Leerlauf-)Position, wo Sie ein Klickgeräusch hören werden, drücken Sie dann die Taste „OK“, „CAL bA“ wird angezeigt und „CAL“ blinkt.	

Neukalibrierungsprozess	LCD-Display-Anzeigen
<p>Schritt 4: Bringen Sie den Geschwindigkeitsregler in die maximale Rückwärts-Stellung und drücken Sie dann die Taste „OK“. Es wird automatisch zur Hauptseite zurückkehren.</p>	

## 5.4 Reißleinschalter einsetzen

Die Reißleine um Ihr Handgelenk legen oder an Ihrer Schwimmweste befestigen. Im Notfall kann der Motor durch Entfernen des Reißleinschalters gestoppt werden. Vor dem erneuten Start des Motors muss der Reißleinschalter wieder auf die vorgesehene Position angebracht werden.

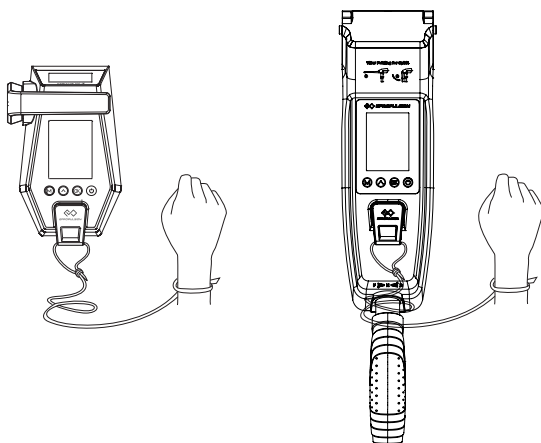


Abb. 5-8

- !** Der Reißleinschalter erzeugt ein Magnetfeld. Zwischen Personen mit Herzschrittmachern oder implantierten Defibrillatoren, magnetischen Karten bzw. anderen magnetischen Gegenständen und dem Schalter muss ein Sicherheitsabstand von mindestens 50 cm eingehalten werden.
- !** Das Magnetfeld des Reißleinschalters beeinflusst elektrische Messgeräte und muss daher von ihnen ferngehalten werden.

## 5.5 Sicherheitsarmband einsetzen

### 5.5.1 Registrierung des Sicherheitsarmbands mit der Evo Fernsteuerung / Evo Pinne (Kopplung)

Die Taste „**V**“ und „**OK**“ drücken und kurz gedrückt halten. Auf dem Display erscheinen das Symbol für das Sicherheitsarmband und die Buchstaben SE. Das zu registrierende Sicherheitsarmband in die Nähe bringen und einschalten. Wenn die Buchstaben „SUC“ auf dem Display von der Evo Fernsteuerung / Evo Pinne erscheinen, dann ist die Kopplung erfolgreich abgeschlossen. Durch kurzes Drücken der „**OK**“ Taste in diesem Menü können weitere Sicherheitsarmbänder (max. 8) registriert werden. Nach dem Abschluss kann durch Drücken der „**M**“ Taste in das Hauptmenü gewechselt werden.

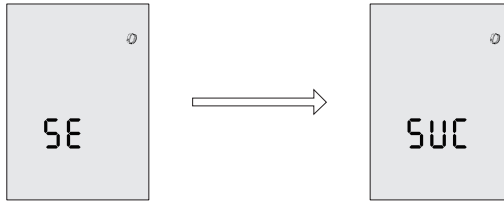


Abb. 5-9

### 5.5.2 Mann-über-Bord-Schutz

Nach der erfolgreichen Registrierung der Sicherheitsarmbänder in der Evo Steuerung wird der Außenborder sofort gestoppt, wenn ein Sicherheitsarmband ins Wasser fällt und die Kommunikation mit der Evo Fernsteuerung dadurch unterbricht. Hierzu muss die Evo Fernsteuerung im Betrieb sein. Das Display der Evo Steuerung fängt an zu blinken und gibt einen warnenden Ton aus. Gleichzeitig blinkt das Symbol für das Armband und die darunter stehende Zahl (Anzahl der gemeldeten Armbänder) wird reduziert. Nachdem der Gashebel in die NULL-Position gebracht wird, kann der Motor wieder betrieben werden. Das Warnsignal aus der Evo Steuerung hört auf zu blinken, aber das Display blinkt weiter. Falls Sie sicher sind, dass die Warnung zurückgesetzt werden soll, dann müssen Sie die Evo Steuerung oder das Sicherheitsarmband, das die Verbindung mit der Steuerung verloren hat, neu starten.

### 5.5.3 Not-Aus

Nach der erfolgreichen Registrierung der Sicherheitsarmbänder in der Evo Steuerung wird der Außenborder sofort gestoppt, wenn die Bedientaste des Sicherheitsarm-

bands kurz betätigt wird. Dabei muss die Evo Fernsteuerung im Betrieb sein. Das Display der Evo Steuerung fängt an zu blinken und gibt einen warnenden Ton aus. Gleichzeitig blinkt das Symbol für das Armband und die darunter stehende Zahl (Anzahl der gemeldeten Armbänder) wird reduziert. Nachdem der Gashebel in die NULL-Position gebracht wird, kann der Motor wieder betrieben werden. Das Warnsignal aus der Evo Steuerung hört auf zu blinken, aber das Display blinkt weiter. Falls Sie sicher sind, dass die Warnung zurückgesetzt werden soll, dann müssen Sie die Evo Steuerung neu starten oder nach 5 Sekunden das Sicherheitsarmband betätigen, damit es wieder in das Betriebsmodus wechselt.



Wenn ein Sicherheitsarmband die Verbindung verliert, oder nach einem Not-Aus, wird die Stopp-Funktion der restlichen Armbänder vorerst deaktiviert, bis der Normalzustand wiederhergestellt ist.

## 5.6 Registrierung der Evo Fernsteuerung im Außenborder (Kopplung)

Vor der Inbetriebnahme muss die Evo Fernsteuerung im Außenborder registriert werden. Für die Registrierung gibt es zwei Möglichkeiten. Bitte eine der folgenden Methode für die Registrierung auswählen und damit die Registrierung durchführen.

### Methode 1: kabellos

Schritt 1: Den Außenborder und die Evo Fernsteuerung ausschalten. Die Evo Fernsteuerung in die Nähe (näher als 0,5 Meter) des Kommunikationsmoduls / Antriebs des Außenborders bringen.

Schritt 2: Durch langes Drücken der „“ Taste an der Evo Fernsteuerung einschalten.

Schritt 3: Sicherstellen, dass das Symbol für kabellose Verbindung dauerhaft leuchtet.

Schritt 4: Durch langes Drücken der „OK“ Taste auf der Evo Fernsteuerung in das Kopplungsmenü wechseln (Abb. 5-10). Im Kopplungsmenü finden Sie die blinkenden Buchstaben „Add“ und „Auf“ und einen Rückwärtszähler „060“.



Abb. 5-10

Schritt 5: Netzschalter einschalten und abwarten, bis die Kopplung des Außenborders mit der Evo Fernsteuerung automatisch abgeschlossen ist.

Schritt 6: Nach dem Vorgang erscheint folgendes auf dem Display. (siehe Abbildung unten)

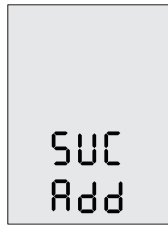



Abb. 5-11


 Falls die Kopplung nicht innerhalb von 60 Sekunden abgeschlossen wird, wiederholen Sie die Schritte ab 3.


### **Methode 2: Über Verbindungskabel**

Schritt 1: Den Außenborder und die Evo Fernsteuerung ausschalten.

Schritt 2: Mit einem Verbindungskabel den Außenborder und die Evo Fernsteuerung verbinden.

Schritt 3: Den Außenborder und die Evo Fernsteuerung einschalten. Die Kopplung findet automatisch statt. Wenn das Hauptmenü erscheint, ist die Kopplung erfolgreich abgeschlossen.

 Auch wenn eine kabellose Verbindung bereits besteht, wechselt das Gerät in den Kabelmodus, wenn ein Verbindungskabel angeschlossen wird.

 Beim Wechsel auf eine neue Steuerung oder einen neuen Außenborder bleibt die ursprüngliche Kommunikation nicht bestehen. Eine Störung der Verbindung wird angezeigt. Auf dem Display der Evo Fernsteuerung wird das Hauptmenü wie unten im Bild dargestellt. In diesem Fall muss die Kopplung erneut durchgeführt werden.

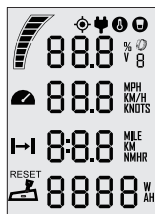


Abb. 5-12

Falls die Evo Fernsteuerung oder der Außenborder nicht ausgetauscht wurden und das Hauptmenü trotzdem wie oben dargestellt wird, dann überprüfen Sie:

- 1) ob die Evo Fernsteuerung nah genug am Außenborder ist.
- 2) ob alle Geräte richtig eingeschaltet sind.

Falls das Display der Evo Fernsteuerung nach den Prüfungen das Hauptmenü immer noch wie oben (Abb. 5-12) anzeigt, dann ist der Außenborder defekt und er muss repariert werden.

## 5.7 Rekuperation

Bei Navy Evo Außenbordern kann der Propeller von der Wasserströmung angetrieben werden. Dadurch wird die Batterie aufgeladen (Nur bei Batterien der Fa. ePropulsion).

**Wenn die folgenden Voraussetzungen erfüllt sind, wird der Rekuperationsmodus aktiviert.**

1. Die Rekuperation ist bei den Einstellungen der Evo Steuerungen aktiviert (Standardeinstellung).
2. Die Evo Steuerung befindet sich in der NULL-Position.
3. Der Batteriestand (ePropulsion Batterie) liegt unter 90 %.
4. Wenn das Boot mit einer Fahrgeschwindigkeit von mehr als 6 km/h 4 Sekunden gefahren ist, startet die Rekuperation.
5. Rekuperation ist nur mit ePropulsion Batterien möglich.
6. Bei der Verwendung von E-Serie-Batterien müssen Verbindungskabel angeschlossen werden.

**Wenn eine der folgenden Situationen vorkommt, stoppt die Rekuperation:**

1. Die Rekuperation ist bei den Einstellungen der Evo Steuerungen deaktiviert.
2. Die Evo Steuerung befindet sich nicht in der NULL-Position. (Vorwärts-Fahrt oder Rückwärts-Fahrt).
3. Das Boot bewegt sich nicht oder die Fahrgeschwindigkeit ist zu hoch (Bei Navy 3.0 Evo mehr als 40 km/h oder bei Navy 6.0 Evo mehr als 45 km/h).
4. Der Batteriestand liegt über 90 %.



Bei Fremdbatterien ist die Rekuperation nicht möglich.

### Einstellung der Rekuperation

Bei einer bestehenden Verbindung zwischen der Evo Steuerung und dem Antrieb sowie im eingeschalteten Zustand sowohl der Evo Fernsteuerung als auch des Motors kann durch gleichzeitiges Drücken der Tasten „M“, „V“ und „OK“ in die Einstellungen der Rekuperation gewechselt werden. Anschließend kann der Status der Rekuperation durch Drücken der „OK“ Taste geändert werden. „En“ steht für „Aktiviert“. „Dis“ steht für „Deaktiviert“.



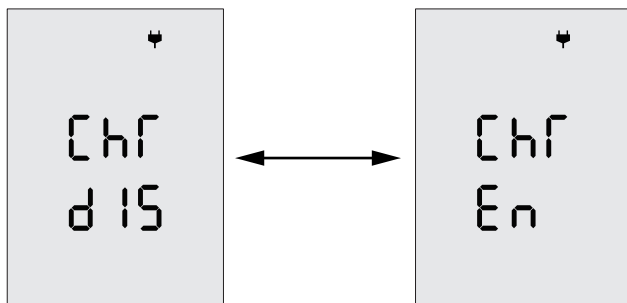


Abb. 5-13

## 5.8 Warnmeldungen

Bei fehlerhaftem Betrieb oder Störungen des Außenborders erscheinen Fehlercodes auf dem Display als Warnmeldungen. Gleichzeitig gibt die Evo Fernsteuerung einen anhaltenden Piepton aus. Die nachfolgende Tabelle hilft Ihnen, Maßnahmen für die Fehlerbehebung zu finden. Abbildung 5-14 dient nur als Beispiel. Weitere Fehlercodes und Maßnahmen zur Fehlerbehebung entnehmen Sie der nachfolgenden Tabelle.




Abb. 5-14

Codes	Ursachen	Maßnahmen
E01	Batteriespannung liegt außerhalb des zulässigen Betriebsbereichs	Die Batterie nach den Betriebsvorgaben wechseln.
E02	Der Propeller wurde blockiert und der Strom des Antriebs ist zu hoch	Siehe Maßnahmen zu E10.
	Störungen des Antriebs durch Überstrom verursacht	Den Hauptschalter ausschalten und 10 Sekunden warten. Den Schalter wieder einschalten.

Codes	Ursachen	Maßnahmen
E06	Batteriespannung zu gering	Auch wenn diese Warnmeldung nicht mehr erscheint, ist die Leistung des Außenborders womöglich zu niedrig. Die Batterie muss dringend geladen werden.
E10	Der Propeller ist blockiert und der Motor wurde dadurch gestoppt	Den Hauptschalter ausschalten. Den Propeller von Fremdkörpern befreien. Den Propeller mit der Hand drehen. Falls er sich frei bewegen lässt, kann der Außenborder wieder eingeschaltet werden.
E11	Übertemperatur des Motors	Den Außenborder ausschalten und abwarten, bis die Temperatur wieder in den Normalbereich sinkt.
E12	Übertemperatur der Platine	Den Außenborder ausschalten und abwarten, bis die Temperatur wieder in den Normalbereich sinkt.
E22	Interne MCU-Verbindung gestört	Neustart durchführen und prüfen, ob der Fehler weiter besteht. Falls ja, kontaktieren Sie bitte Ihren zuständigen ePropulsion Vertragshändler.
E30	Der Positionsgeber des Gashebels ist fehlerhaft. Der Hebel muss neu kalibriert werden	Die Vorgehensweise der Kalibrierung entnehmen Sie bitte dem Kapitel 5.3.2 „Kalibrieren“.
E56	Die Verbindung zwischen Motor und Batterie ist fehlerhaft	Überprüfen, ob das Verbindungskabel zwischen dem Motor und der ePropulsion Batterie richtig angeschlossen ist. Falls ja, Neustart durchführen.
E60	Batteriestand der Evo Fernsteuerung reicht nicht aus	Mit einem Verbindungskabel die Evo Fernsteuerung mit dem Außenborder verbinden. Siehe hierzu das Kapitel 5.2.2 „Laden über Ladekabel“.

Codes	Ursachen	Maßnahmen
Anzeige aller Zeichen	Die Stromversorgung des Außenborders ist fehlerhaft	Die Batterie mit dem Außenborder verbinden. Danach den Hauptschalter einschalten.
	Nicht registriert	Siehe Kapitel 5.6 „Registrierung der Evo Fernsteuerung im Außenborder“. Die Evo Fernsteuerung erneut im Außenborder registrieren.

 Falls der Fehler weiterhin besteht, kontaktieren Sie bitte Ihren zuständigen ePropulsion Vertragshändler.

# 6 Konfiguration

---

## 6.1 Benutzerdefinierte Einstellungen

Bevor Sie Ihren Navy Evo Außenborder in Betrieb nehmen, sollten Sie die benutzerdefinierten Einstellungen wie nachfolgend beschrieben vornehmen.

Schritt 1: Im eingeschalteten Zustand drücken Sie die „M“ Taste ca. 2 Sekunden, um zu den benutzerdefinierten Einstellungen zu gelangen (siehe Abb. 6-1). Der Benutzer kann nach seinen Vorlieben die Anzeigeeoptionen auswählen.

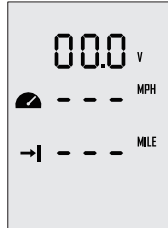


Abb. 6-1


Schritt 2: Im Menü der benutzerdefinierten Einstellungen wird die momentan einzustellende Option blinkend dargestellt. Durch Drücken der „^“ Taste können Sie die anderen Optionen dieser Einstellung sehen. Beispiel: Wenn in Abb. 6-1 „V“ blinkt, bedeutet es, dass Sie an dieser Stelle andere Optionen auswählen können. Durch Drücken der „^“ Taste wird die Anzeige von „V“ auf „%“ gewechselt. D. h. anstatt der Spannung wird der Batteriestand angezeigt.



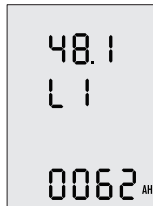
Schritt 3: Durch Drücken der „OK“ Taste wird die ausgewählte Option abgespeichert. Die nächste Einstellung wird automatisch angewählt.


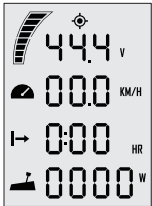
Schritt 4: Nachdem alle Einstellungen vorgenommen sind, können Sie durch langes Drücken der „OK“ Taste die Einstellungen speichern und zum Hauptmenü zurückkehren.

## 6.2 Batteriekonfiguration

Eine genaue Batteriekonfiguration trägt zur genauen Anzeige des Entladezustands der Batterie bei. Bei der Verwendung von E-Serie-Batterien der Fa. ePropulsion werden die Konfigurationen automatisch von der Steuerung durchgeführt, nachdem die Batterien mit Kabel an die Steuerung angeschlossen wurden. Bei der Verwendung von E-Serie-Batterien anderer Hersteller sollte der Benutzer vor der Erstinbetriebnahme über die Evo Fernsteuerung bzw. Evo Pinne die Batteriekonfiguration manuell durchführen, um den Batteriestand genauer anzeigen zu lassen.

 Beim erstmaligen Wechsel auf eine Batterie mit abweichenden Kapazitäten / Spannungen muss diese konfiguriert werden, bevor sie an den Navy Evo Außenborder angeschlossen werden kann.


Batteriekonfiguration	LCD-Display
<p>Schritt 1: Hauptschalter einschalten. Warten, bis die Evo Fernsteuerung / Evo Pinne gestartet ist.</p> <p>Die Taste „M“ und „OK“ gleichzeitig drücken und kurz gedrückt halten, um in das Setup-Menü der Batterie zu wechseln. Wenn der Batterietyp blinkt, kann die Konfiguration gestartet werden.</p>	
<p>Schritt 2: Den Typ der verwendeten Batterie einstellen.</p> <p>Mit der „OK“ Taste kann zwischen Pb, Li und LFE gewählt werden.</p> <p>Pb: Blei-Säure-Batterie Li: Lithium-Ionen-Batterie LFE: Lithium-Ionen-Eisen-Phosphat-Batterie</p>	
<p>Schritt 3: Durch Drücken der „^“ Taste den eingestellten Batterietyp speichern und zur Einstellung der Batterie-Nennspannung zurückwechseln.</p> <p>Die Optionen zur Spannung hängen vom Batterietyp ab. Durch Drücken der „OK“ Taste können Sie sich die Optionen ansehen und einen Nennspannungswert auswählen, der für die verwendete Batterie am besten passt.</p>	


Batteriekonfiguration	LCD-Display
<p>Schritt 4: Durch Drücken der „<b>V</b>“ Taste die Einstellung speichern und zur Einstellung der Batteriekapazität wechseln.</p> <p>Durch Drücken der „<b>OK</b>“ Taste können Sie die Batteriekapazität für die verwendete Batterie einstellen. Von links nach rechts alle vier Ziffern einstellen. Nach jeder Ziffer wird durch Drücken der „<b>V</b>“ Taste zur nächsten Ziffer gewechselt.</p> <p>Die Einheit für Kapazität ist „Ah“. Normalerweise wird die Batteriekapazität mit „Wh“ aufgeführt. Mit der folgenden Formel wird die Kapazität in „Ah“ umgerechnet.</p> $\text{Kapazität in Wh} = \frac{\text{Kapazität in Ah} \cdot \text{Nennspannung in V}}{\text{Nennspannung in V}}$ <p>Zum Beispiel: Bei einer 3000 Wh Lithium-Ionen-Batterie mit einer Nennspannung von 48,1 V ergibt sich die Kapazität von 62,37 Ah. Daher wird 62 Ah eingestellt.</p>	
<p>Schritt 5: Durch Drücken der „<b>M</b>“ Taste wird die Einstellung gespeichert und die Batteriekonfiguration ist abgeschlossen. Das Display wechselt zum Hauptmenü.</p>	

**!** Für Navy Evo Außenborder werden Blei-Säure-Batterien und Lithium-Ionen-Batterien empfohlen. Der Einsatz anderer Batterien kann den einwandfreien Betrieb des Navy Evo Außenborders nicht gewährleisten.

**!** Zu den jeweiligen Batterietypen finden Sie in der folgenden Tabelle Parameter für die Einstellungen des Batterietyps und der Spannung.

Batterietyp	Parameter Nennspannung
Lithium-Ionen-Batterie	43,2 V 44,4 V 45,6 V 46,8 V 48,1 V 49,4 V 50,4 V 51,8 V 53,2 V
Blei-Säure-Batterie	44,0 V 46,0 V 48,0 V 50,0 V 52,0 V 54,0 V
Lithium-Ionen-Eisen-Phosphat-Batterie	44,8 V 48,0 V 51,2 V

 Beim Wechsel auf eine Batterie eines anderen Typs muss die neue Batterie konfiguriert werden.

 Bei der Verwendung von E-Serie-Batterien anderer Hersteller muss der Benutzer vor der Erstinbetriebnahme über die Evo Fernsteuerung bzw. Evo Pinne die Batteriekonfiguration manuell durchführen, um den Batteriestand genauer anzeigen zu lassen.

# 7 Kontrolle vor dem Betrieb

---

1. Sicherstellen, dass der Propeller ordnungsgemäß am Außenborder angebracht und befestigt ist.
2. Sicherstellen, dass der Außenborder ordnungsgemäß am Boot angebracht und befestigt ist.
3. Vor dem Einschalten der Stromversorgung sicherstellen, dass der Gashebel und das Lenkrad an ihren richtigen Positionen eingebaut sind.
4. Sicherstellen, dass sich der Gashebel problemlos bedienen lässt.
5. Vor dem Anschluss der Batterie sicherstellen, dass die Leitungen keine Wackelkontakte oder Beschädigungen aufweisen.
6. Sicherstellen, dass die Ein- und Ausschaltfunktionen des Hauptschalters einwandfrei funktionieren. Nach der Kontrolle den Hauptschalter wieder ausschalten.
7. Sicherstellen, dass die Batterie ausreichend geladen ist.
8. Sicherstellen, dass die Batterie der Evo Fernsteuerung bei einer kabellosen Verbindung ausreichend geladen ist.



Den Außenborder erst starten, wenn sich der Propeller im Wasser befindet, denn drehende Propeller können Verletzungen verursachen.




Falls Leitungen oder Kabel mit Wasser in Kontakt gekommen sind, müssen sie vor der Verwendung getrocknet werden.



## 8. Außenborder starten


---

1. Sämtliche Kontrollen durchführen.
2. Den Reißleinenschalter von der Evo Steuerung abnehmen.
3. Den Gashebel in die NULL-Position zurückbringen.
4. Die Batterie an den Außenborder anschließen.
5. Den Außenborder mit einem passenden Winkel befestigen.
6. Den Hauptschalter einschalten. Bei E-Serie-Batterien die Stromversorgung durch Drücken der EIN/AUS-Taste der Batterie einschalten.
7. Die Evo Steuerung durch Drücken der „“ Taste einschalten. Auf dem Display wird das Hauptmenü angezeigt.
8. Ggf. die benutzerdefinierten Einstellungen und Batterie-Einstellungen vornehmen.
9. Die Reißleine des Sicherheitsschalters um das Handgelenk legen oder an der Schwimmweste befestigen. Danach den Reißleinenschalter an die richtige Position der Evo Fernsteuerung / Evo Pinne legen.
10. Den Außenborder starten, indem der Gashebel langsam betätigt wird.

## 9 Außenborder stoppen

---

Im Normalfall sollte der Außenborder wie unten beschrieben ausgeschaltet werden.

1. Den Gashebel in die NULL-Position bringen.
2. Warten bis der Außenborder stillsteht. Den Reißleinenschalter von der Evo Steuerung entfernen.
3. Die „“ Taste drücken, bis sich die Evo Steuerung ausgeschaltet hat.
4. Den Hauptschalter ausschalten. Bei E-Serie-Batterien die Stromversorgung durch Drücken der EIN/AUS-Taste der Batterie ausschalten.
5. Den Außenborder aus dem Wasser heben bzw. vom Boot ausbauen.



Bei längerer Nichtbenutzung den Außenborder aus dem Wasser heben, um ihn vor Korrosion zu schützen. Darüber hinaus wird die Anbringung einer Beschichtung auf den Außenborder für zusätzlichen Korrosionsschutz empfohlen.



Wenn eine der folgenden Situationen vorkommt, wird der Außenborder gestoppt.

1. Der Gashebel befindet sich in der NULL-Position.
2. Der Reißleinenschalter befindet sich nicht an seiner vorgesehenen Position.
3. Der Hauptschalter ist ausgeschaltet.
4. Die Verbindung zwischen der Evo Steuerung und dem Außenborder ist unterbrochen.
5. Die Verbindung zwischen der Batterie und dem Außenborder ist unterbrochen.
6. Die Steuerung hat eine Störung (Der Motor ist blockiert oder eine Batterieunterspannung wurde erkannt.).

## 10 Trimmwinkel-Einstellung

**!** Der Trimmwinkel darf nur bei Stillstand des Außenborders eingestellt werden. Es sind fünf Einstellungen möglich: 60°, 15°, 10°, 5° und 0°. Nach Bedarf den passenden Trimmwinkel für den Außenborder einstellen. Zum Beispiel: Beim Betrieb im Flachwasser oder einer Außerbetriebnahme den Trimmwinkel auf 60° einstellen. Beim Normalbetrieb den Trimmwinkel so auswählen, dass sich der Motorschaft während des Betriebs in einer senkrechten Position befindet. Bitte beachten Sie, dass die beste Winkeleinstellung vom Bootstyp, den Fahr- und Wetterbedingungen abhängig ist.

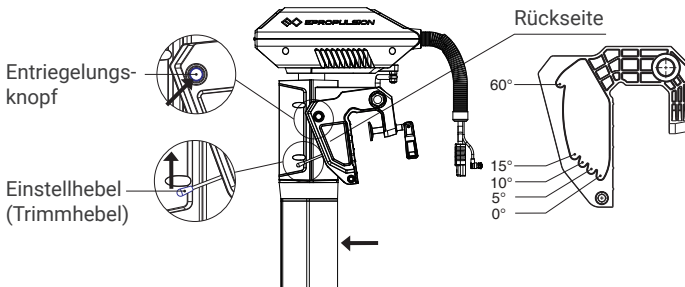


Abb. 10-1

### Hochklappen

**!** Die Evo Pinne demontieren, bevor der maximale Trimmwinkel für den Außenborder eingestellt wird.

**!** Die Pinne dient nicht zum Neigen oder Anheben des Außenborders, da sie nicht für das Gewicht des Außenborders ausgelegt ist. Nichtbeachtung kann zu Unfällen führen. Zum Neigen oder Anheben des Außenborders verwenden Sie bitte den Griff an der Halterung.

Den Trimmhebel nach oben ziehen, den Außenborderschaft gleichzeitig anheben, um den Winkel zu vergrößern. Danach den Trimmhebel wieder loslassen, um den eingestellten Winkel zu verriegeln.

### Herunterklappen

Beim maximalen Trimmwinkel von 60° den Entriegelungsknopf herunterdrücken. Nun kann der Motorschaft leicht bis auf ca. 80° angehoben werden. Anschließend den Schaft wieder nach unten schwenken, bis er in die Position 0° zurückkehrt.



Es wird empfohlen, durch mehrmalige Versuche den idealen Trimmwinkel für das Boot zu finden. Während eines Versuchs sollte die Geschwindigkeit nur langsam erhöht werden. Auf ungewöhnliches Fahrverhalten des Bootes achten. Ggf. den Außenborder stoppen und den Trimmwinkel anpassen.



Den Motorschaft vorsichtig neigen.



Mit dem Trimmhebel kann der Trimmwinkel des Motorschafts nur vergrößert werden, zum Beispiel von  $0^\circ$  auf  $60^\circ$ . Falls Sie den Winkel verkleinern möchten, zum Beispiel von  $15^\circ$  auf  $5^\circ$ , gehen Sie wie folgt vor:

Zuerst vergrößern Sie den Winkel auf den Maximalwert  $60^\circ$ .

Anschließend drücken Sie den Entriegelungsknopf und stellen den Motorschaft auf die Position  $0^\circ$  zurück.

Zum Schluss ziehen Sie den Trimmhebel nach oben und heben den Motorschaft an, bis die Position  $5^\circ$  erreicht ist.

# 11 Bodenschutzmodus

Wenn ein mit Außenborder ausgestattetes Boot im Flachwasser fährt, können kritische Unterwasser-Bedingungen dazu führen, dass der Propeller auf den Bodengrund stößt oder sich Wasserpflanzen um ihn wickeln, was den einwandfreien Betrieb des Außenborders beeinträchtigen und den Außenborder beschädigen könnte. Bevor eine Fahrt mit unvorhersehbaren Unterwasser-Bedingungen gestartet wird, können Sie den Bodenschutzmodus am Außenborder aktivieren, um ihn und die Bedienperson zu schützen. Bei aktiviertem Bodenschutzmodus hebt sich der Außenborder nach einem Zusammenstoß in die Fahrtrichtung hoch, um weitere Schäden zu minimieren.

Schritt 1: Mit der linken Hand den Griff an der Halterung ziehen und so zur Seite drehen, dass sich der Einstellhebel ganz ausziehen lässt.

Schritt 2: Mit der rechten Hand den Einstellhebel ganz herausziehen. Den Hebel wieder ganz einschieben, um den Bodenschutzmodus zu deaktivieren.

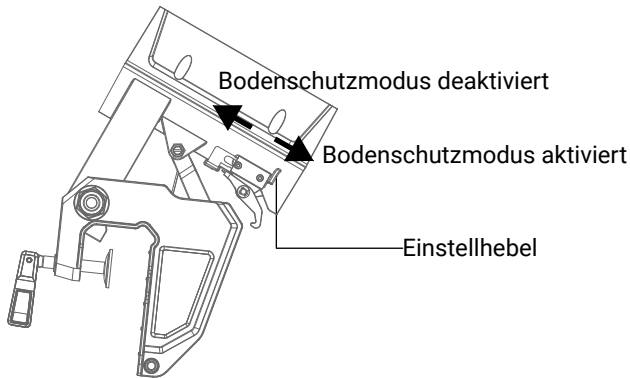


Abb. 11-1

# 12 Verbindungskabel durch den Faltenbalg führen

Um die Leitungen zu schützen und eine bessere Optik zu erzielen, empfehlen wir bei der Verwendung des 5 Meter langen Verbindungskabel, das Kabel wie unten beschrieben durch einen Faltenbalg zu verlegen.

Schritt 1: Die Halterungsachse, die Frontverkleidung und den Deckel demontieren. Die Schelle abschrauben und das Kabel durch den Faltenbalg führen. Es wird empfohlen, zuerst eine hohle Leitung durch den Faltenbalg zu führen, weil sich das Verbindungskabel darin leichter durchziehen lässt.

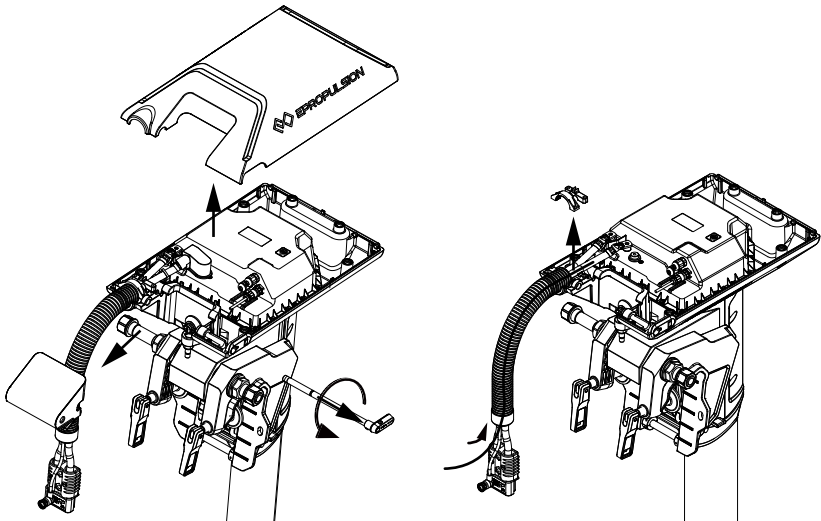


Abb. 12-1

Schritt 2: Das Kabel durch die Halterung und die Öffnung im unteren Gehäuse führen.

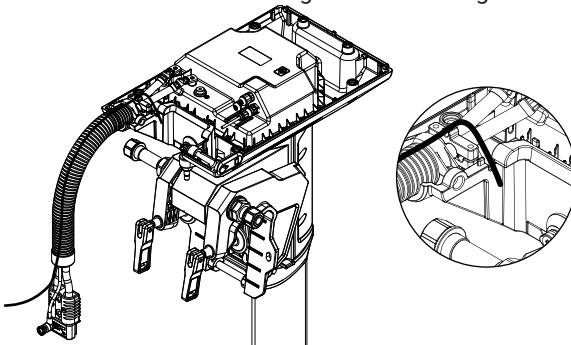


Abb. 12-2

Schritt 3: Das obere Gehäuse und die Frontverkleidung der Fernsteuerung nacheinander montieren. Das Kabel, wie unten im Bild dargestellt, durch die beiden Öffnungen in das untere Gehäuseeteil führen und mit dem Anschluss verbinden.

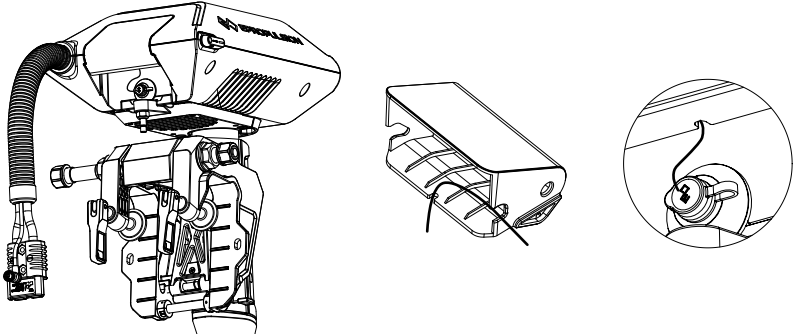


Abb. 12-3


# 13 Wartung


## 13.1 Wichtige Hinweise


Regelmäßige Wartung trägt dazu bei, den einwandfreien Zustand des Außenborders zu gewährleisten.

Den Trimmwinkel von 60° einstellen, um einen Bodenkontakt des Außenborders zu vermeiden. Den Außenborder nur im Wasser mit ausreichender Tiefe einsetzen. Der Außenborder darf niemals im sehr flachen Wasser betrieben werden.

Nach einer Fahrt im Salzwasser den Außenborder mit Frischwasser spülen, um Korrosion zu vorbeugen.

 Vor den Wartungsarbeiten die Verbindung zwischen der Batterie und dem Außenborder trennen.


 Die Wartungsarbeiten nach den Anweisungen Ihres ePropulsion Vertragshändlers durchführen.

 Bei Wartung und Umtausch dürfen nur Original-Teile von Ihrem ePropulsion Vertragshändler eingesetzt werden.

## 13.2 Wartungsplan

Regelmäßige Instandhaltung trägt dazu bei, den einwandfreien Zustand des Außenborders zu gewährleisten. Den Wartungsplan entnehmen Sie bitte der folgenden Tabelle. Die Intervalle können je nach Verwendung angepasst werden.

Bauteile	Arbeiten	Wartungsintervalle	
		100 Stunden (6 Monate)	100 Stunden (12 Monate)
Anode	Prüfen/Umtausch	<input type="checkbox"/>	
Propeller und Stifte	Prüfen/Umtausch	<input type="checkbox"/>	

 „“ kennzeichnet Prüfungen, die der Benutzer selbst durchführen kann.

„“ kennzeichnet Wartungsarbeiten, die von einem Vertragshändler durchzuführen sind.



## 13.3 Wartung des Propellers

⚠ Vor den Instandhaltungsarbeiten die Verbindung zwischen der Batterie und dem Außenborder trennen.

⚠ Die Verwendung von Arbeitshandschuhen wird dringend empfohlen, um Handverletzungen durch scharfe Kanten des Propellers zu vermeiden.

Den Propeller wie unten beschrieben prüfen und ggf. durch einen neuen Propeller ersetzen. Siehe dazu Kapitel 2.2 „Einbau des Propellers“. Die unten beschriebenen Prüfungen am Propeller durchführen. Eventuell durch einen neuen Propeller ersetzen. Dazu die Arbeitsschritte in den Abb. 2-1 und 2-2 beachten.

1. Den Propeller auf Verschleiß, Kavitationserosion und andere Schäden prüfen.
2. Die Schrauben auf Verschleiß oder Beschädigungen prüfen.
3. Den Propeller von Wasserpflanzen, Fischernetzen oder Angelschnüren befreien.
4. Bei Bedarf die Anode ersetzen.

## 13.4 Anode ersetzen

Bei Bedarf die Anode ersetzen. Folgende Abbildungen dienen als Orientierung.

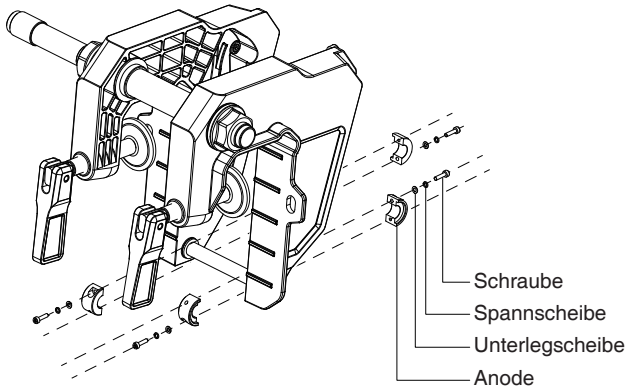


Abb. 13-1

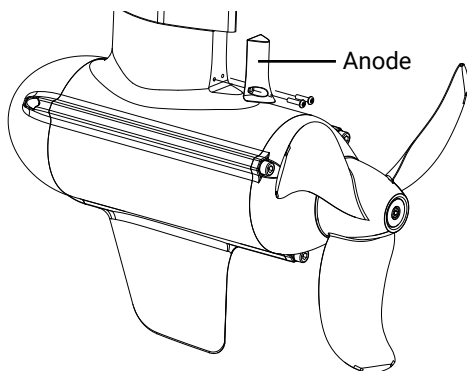


Abb. 13-2

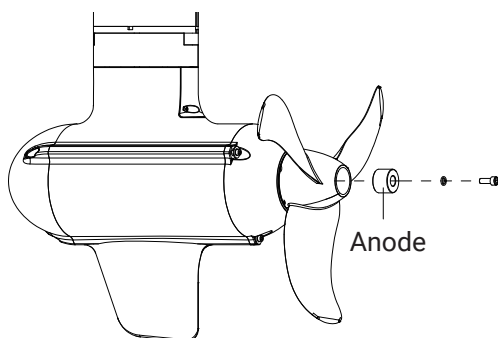


Abb. 13-3

# 14 Transport und Lagerung

## 14.1 Transport

Für Transport über weite Strecken sollte der Außenborder wieder mit der Original-Verpackung von ePropulsion verpackt werden.

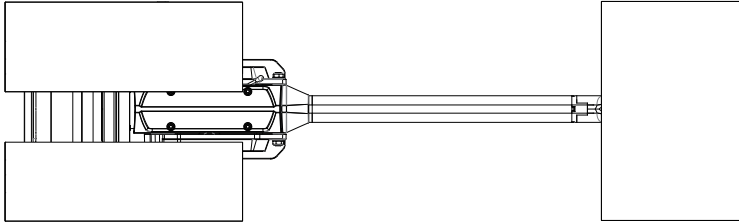





Abb. 14-1

## 14.2 Aufstellen

Der Außenborder sollte auf einer ebenen und waagerechten Fläche aufgestellt werden (am besten auf einer weichen Matte).

## 14.3 Lagerung

Wenn der Außenborder für 2 Monate (oder länger) außer Betrieb genommen wird, empfehlen wir, einen Vertragshändler mit Prüfung und Reinigung zu beauftragen. Es wird empfohlen, den Außenborder vor der Lagerung mit dem Original-Verpackungsmaterial von ePropulsion zu verpacken.

-  Vor dem Transport oder vor der Lagerung passendes Schutzmaterial anbringen. Falls der Propeller auf dem Schaft montiert ist, darf er keinen Beanspruchungen ausgesetzt werden.
-  Der Außenborder muss in einer gut gelüfteten und trockenen Umgebung ohne direktes Sonnenlicht gelagert werden.
-  Die Umgebungstemperatur bei der Lagerung muss im Bereich von  $-25\text{ °C}$  –  $50\text{ °C}$  liegen.

# 15 Notfall-Maßnahmen

---

## 15.1 Zusammenstöße unter Wasser

Bei einem Zusammenstoß mit Gegenständen unter Wasser gehen Sie wie folgt vor:

1. Den Außenborder sofort stoppen und anschließend ausschalten.
2. Auf äußerliche Beschädigungen prüfen.
3. Mit einer niedrigen Geschwindigkeit zum nächsten Hafen zurückkehren.
4. Ihren zuständigen ePropulsion Vertragshändler kontaktieren, um den Außenborder prüfen zu lassen.

## 15.2 Ins Wasser fallen

Falls der Außenborder ins Wasser gefallen ist, den Betrieb sofort stoppen und den Hauptschalter ausschalten. Anschließend die Verbindung zur Batterie trennen. Den Außenborder Ihrem Vertragshändler übergeben und überprüfen lassen, bevor er wieder in Betrieb genommen wird.

## 15.3 Batterie-Unterspannung

Wenn die Batteriespannung unter 42 V liegt, wird die Leistung des Gashebels beim weiteren Spannungsabfall begrenzt. Wenn die Batteriespannung 39 V unterschreitet, wird der Außenborder automatisch gestoppt, um eine Tiefentladung der Batterie zu vermeiden. Wenn diese Situation vorkommt, falls der Außenborder vom Hafen weit entfernt ist und eine Ersatzbatterie vorhanden ist, sollen Sie warten, bis die Batteriespannung wieder auf 42 V oder höher ansteigt. Sie können bei einer Gashebel-Leistung von unter 1000 W den Außenborder neu starten.

## 15.4 Übertemperatur

Bei leicht erhöhter Systemtemperatur wird die maximale Leistungsaufnahme des Navy Evo Außenborders unter die Nennleistung begrenzt. Je höher die Temperatur steigt, desto niedriger wird die Leistung. Wenn die Systemtemperatur weiter steigt und einen Sollwert überschreitet, wird der Außenborder sofort ausgeschaltet, um eine Überhitzung zu vermeiden. Der Benutzer soll in diesem Fall den Betrieb sofort beenden und abwarten, bis die Temperatur wieder in den Normalbereich sinkt.

# 16 Gewährleistung

Die Fa. ePropulsion übernimmt Garantie für alle durch autorisierte Händler erworbenen ePropulsion Produkte. Der Garantiefumfang beinhaltet kostenlosen Umtausch von Produkten, die schwerwiegende Qualitätsmängel aufweisen, Vertragsbedingungen nicht erfüllen bzw. kostenlosen Reparatur- oder Umtauschservice von fehlerhaften oder fehlenden Bauteilen. Die Festlegung der Garantiebedingungen dient zum Schutz der Verbraucherrechte.

## 16.1 Garantiebedingungen

ePropulsion bietet für seine Produkte ab dem Kaufdatum für einen bestimmten Zeitraum Garantieleistungen. Treten Qualitätsmängel innerhalb der Garantiefrist auf, kann der Benutzer seinen Garantieanspruch gegenüber der Fa. ePropulsion geltend machen.

Produkt/Bauteil	Frist
Navy 6.0 Evo Navy 3.0 Evo	2 Jahre ab dem Kaufdatum (nur bei nicht-gewerblicher Nutzung)
Reparierte oder umgetauschte Bauteile	Drei Monate ab dem Datum der Reparatur oder des Umtauschs. Anmerkung: 1. Wenn diese drei Monate die Original-Garantiefrist nicht überschreiten, dann bleibt die Garantie für diese reparierten bzw. umgetauschten Bauteile für 1 Jahr (ab dem Kaufdatum des Produkts) gültig. 2. Wenn diese drei Monate die Original-Garantiefrist überschreiten, dann bleibt die Garantie für diese reparierten bzw. umgetauschten Bauteile für 3 Monate (ab dem Servicedatum der Reparatur oder des Umtauschs) gültig.





Um zu überprüfen, ob die Garantiebedingungen erfüllt sind, muss der Benutzer die der Verpackung beiliegende Garantiekarte ausfüllen.





Das Typenschild des Produkts darf nicht beschädigt werden. Die Seriennummer muss dem Typenschild entnommen werden. Das Typenschild darf auf keinen

Fall vom Produkt entfernt werden. Für Produkte ohne das Original-Typenschild erlischt der Garantieanspruch gegenüber der Fa. ePropulsion.

 Die Garantie kann nur gewährleistet werden, wenn die vom Benutzer gemachten Angaben richtig und vollständig sind.

 Der Benutzer muss die gültige Seriennummer seines Produkts, die ausgefüllte Garantiekarte sowie den von einem autorisierten Vertragshändler ausgestellten Kaufbeleg einreichen.

 Das gültige Kaufdatum wird durch den Original-Kaufbeleg des ersten Käufers bestimmt.

 Die Garantiekarte darf nicht weitergegeben werden und wird bei Verlust nicht ersetzt.

## 16.2 Von der Garantie ausgenommen

Das Produkt muss beim Einschicken zur Reparatur ausreichend verpackt sein. Es wird empfohlen, die Original-Verpackung von ePropulsion zu verwenden. Wenn Bauteile durch unzureichende Verpackung beim Einschicken beschädigt werden, unterliegen diese Bauteile nicht den vereinbarten Garantieleistungen.

Darüber hinaus werden durch folgende Situationen verursachte Störungen oder Schäden nicht als Garantiefall anerkannt, auch wenn die Garantiefrist noch nicht abgelaufen ist:

- Bedienung, die mit dieser Bedienungsanleitung nicht konform ist.
- Unfälle, unsachgemäße Handhabung, absichtliche Fehlnutzung, Wassereintritt, schwere physikalische Defekte oder eigenmächtige Reparaturen.
- Herunterfallen, unsachgemäße Instandhaltung oder Lagerung.
- Für normalen Verschleiß, der die Funktionen des Produkts nicht beeinflusst, ist ebenfalls keine Garantieleistung möglich.
- Für Verschleiß- und Zubehörteile wird keine Garantie geleistet.

## 16.3 Abwicklung eines Garantiefalls

Bei der Feststellung von Qualitätsmängeln können Sie gemäß dem folgenden Verfahren Ihren Garantieanspruch bei einem Vertragshändler geltend machen:

1. Die Garantiekarte richtig und vollständig ausfüllen. Die Karte zusammen mit einem gültigen Kaufbeleg bei einem autorisierten ePropulsion Vertragshändler einreichen. Für einen Garantiefall sind folgende Unterlagen notwendig: die Garantiekarte, die Seriennummer des Produkts und der Kaufbeleg.
2. Nach der Bestätigung des Garantieanspruchs geben Sie das fehlerhafte Produkt bei einer autorisierten Servicestelle ab. Achten Sie darauf, dass das Typenschild unbeschädigt ist.
3. Der Vertragshändler der Fa. ePropulsion kümmert sich um die Fehlerdiagnose und die Reparatur des defekten Bauteils oder veranlasst einen Umtausch.
4. Bei einem Garantiefall müssen Sie keine Kosten für die Reparatur oder den Umtausch übernehmen. Sämtliche Versandkosten während der Abwicklung muss jedoch der Benutzer selbst tragen.
5. Nach sorgfältigen Prüfungen führen die Vertragshändler der Fa. ePropulsion Reparaturen oder Umtausch der fehlerhaften oder defekten Bauteile durch.
6. Bei einer Ablehnung des Garantieanspruchs erhalten Sie von Ihrem ePropulsion Vertragshändler für die fälligen Reparaturarbeiten einen Kostenvoranschlag, in dem auch die gesamten Versandkosten enthalten sind. Der Vertragshändler führt die Reparatur erst nach dem Erhalt Ihrer Bestätigung durch.



Nach dem Ablauf der Garantiefrist gewährleisten wir unseren Kunden, ihre Reparaturen zu einem günstigsten Preis von Vertragshändlern der Fa. ePropulsion durchführen zu lassen.

Thanks for reading this user manual.

If you have any concerns or find any problems while reading, please don't hesitate to contact us. We are delighted to offer service for you.

Vielen Dank, dass Sie diese Bedienungsanleitung gelesen haben.

Wenn Sie Fragen haben oder beim Lesen Unklarheiten aufkommen sind, zögern Sie bitte nicht, uns zu kontaktieren. Wir freuen uns, Ihnen behilflich sein zu können.

**Guangdong ePropulsion Technology Limited**

**Webseite: [www.epropulsion.com](http://www.epropulsion.com)**

**E-Mail: [service@epropulsion.com](mailto:service@epropulsion.com)**