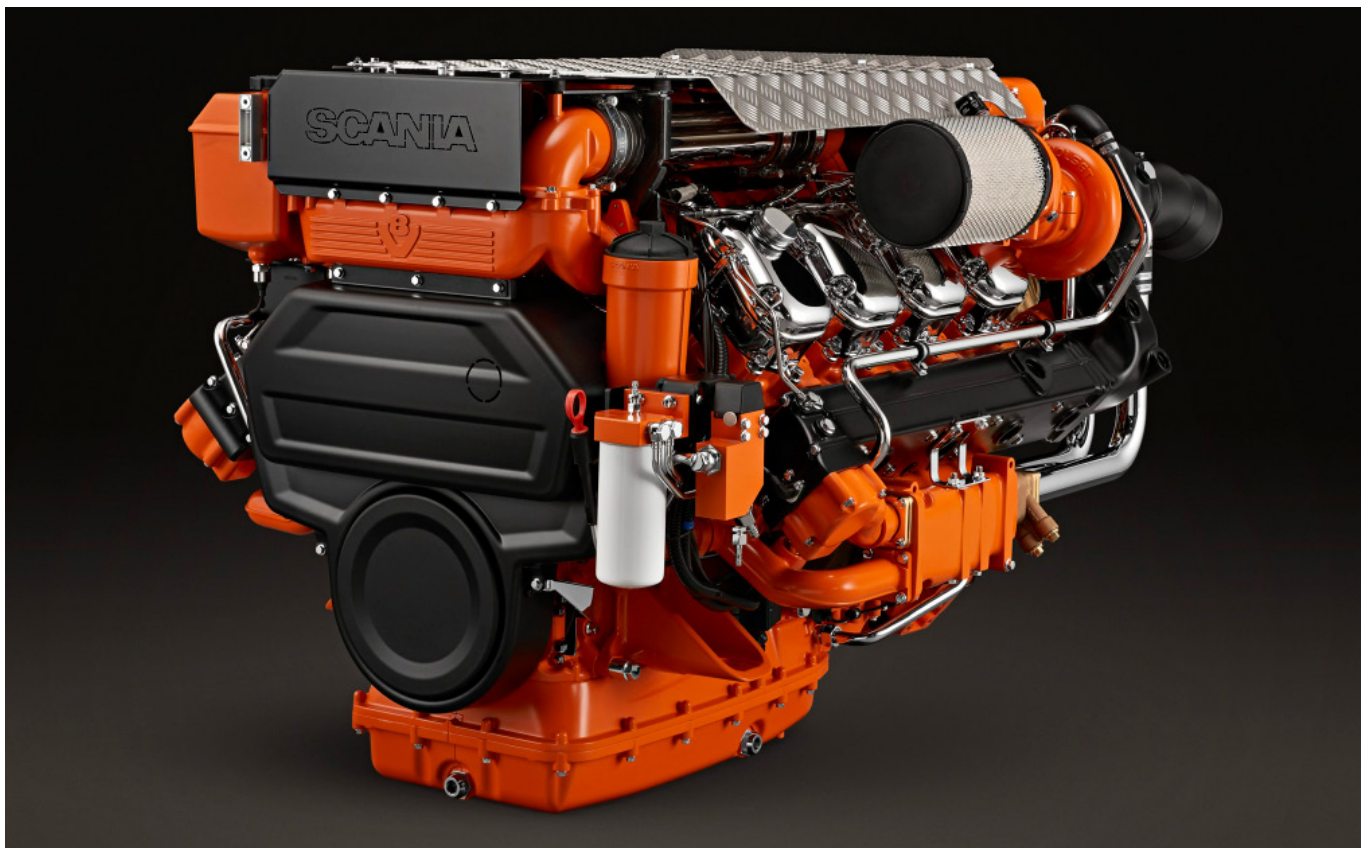


SCANIA MARINE ENGINE: EU RCD STAGE II, US TIER 3 FOR PLEASURE CRAFT

16-LITRE ENGINE



Engine description

DI16 304M. 846 kW (1,150 hp)

Engine speed	2,300 rpm
Emission compliance	EU RCD Stage II, US Tier 3 for pleasure craft
Rating	Pleasure craft
No of cylinders	V8
Working principle	4-stroke
Displacement	16.4 litres
Weight	1,660 kg (excluding oil and coolant)
Oil capacity	40-48 litres (standard oil sump)
Electrical system	2-pole, 24 V DC

The marine engines from Scania are based on a robust design with a strength optimized cylinder block containing wet cylinder liners that can easily be exchanged. Individual cylinder heads with 4 valves per cylinder promotes reparability and fuel economy.

The engine is equipped with a Scania developed Engine Management System, EMS, to ensure the control of all aspects related to engine performance. The injection system is Scania's XPI (extra high pressure fuel injection), a common rail system that gives low exhaust emissions with good fuel economy and a high torque.

The engine can be equipped with many accessories such as air cleaners, PTOs, transmissions and instrumentation, to suit a variety of installations.

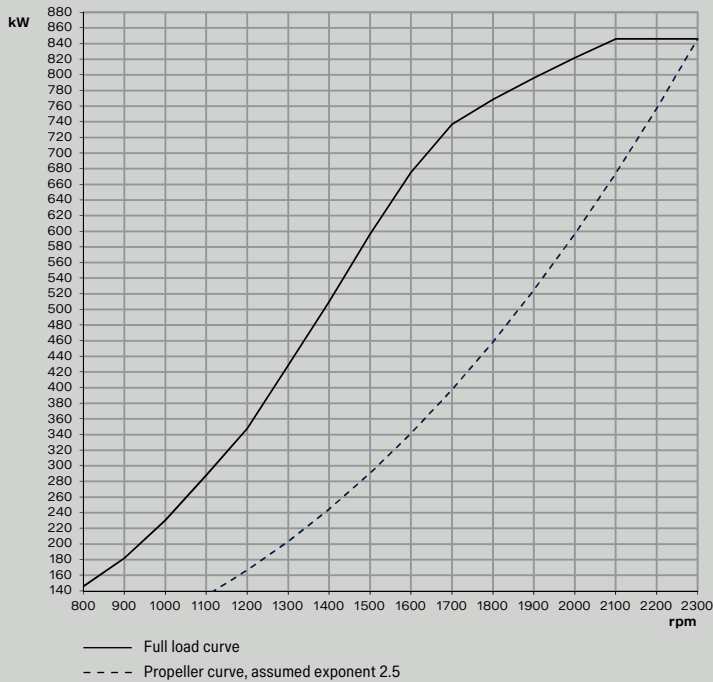
Standard equipment

- Scania Engine Management System, EMS
- Extra high pressure fuel injection system, XPI
- Dual water-cooled turbochargers
- Saver ring in cylinder liner
- Fuel filter and extra pre-filter with water separator
- Oil filter, full flow
- Centrifugal oil cleaner
- Oil cooler, integrated in cylinder block
- Oil filler, in valve cover
- Deep front oil sump
- Oil dipstick, front
- Starter motor, 2-pole 7.0 kW
- Alternator, 2-pole 100 A
- Flywheel SAE 14
- Silumin flywheel housing, SAE 1 flange
- Front-mounted engine suspension
- Closed crankcase ventilation
- Sea water pump
- Sea water-cooled charge air cooler
- Dual heat exchangers with expansion tank

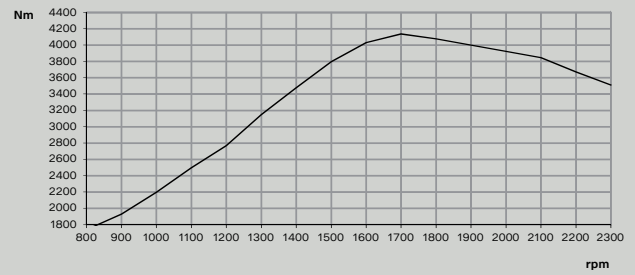
Pleasure craft: Intended for intermittent use where rated power is available 1 hour/20-hour period. Accumulated load factor must not exceed 50% of rated power. Accumulated total service time max. 500 h/year.

Power charts

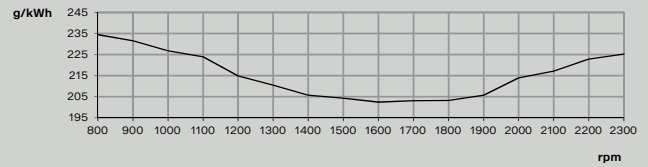
Power



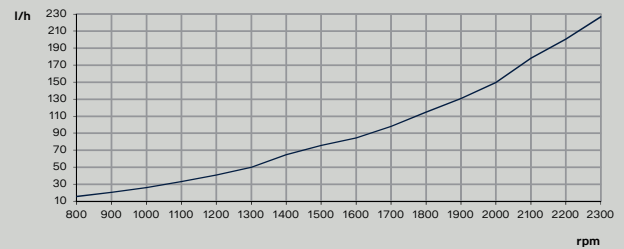
Torque



Fuel consumption



Fuel consumption, propeller curve

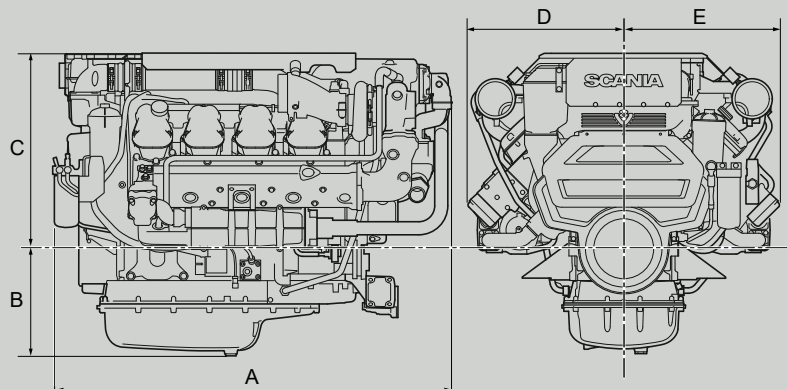


Test conditions. Air temperature +25 °C. Barometric pressure 100 kPa (750 mmHg). Humidity 30%. Diesel fuel acc.to ECE R 24 Annex 6. Density of fuel 0,840 kg/dm³. Viscosity of fuel 3.0 cSt at 40 °C. Energy value 42,700 kJ/kg. **Power test code** ISO 3046. Power and fuel values +/-3%.

Dimensions

A Overall length	1,574
B Centre of crankshaft to bottom	428
C Centre of crankshaft to top	786
D Centre of crankshaft to right-hand side	635
E Centre of crankshaft to left-hand side	635

All dimensions indicated in mm.



Technical data

	Engine speed (rpm)				
	1,200	1,500	1,800	2,100	2,300
Gross power (kW)	348	597	769	846	846
Gross power (hp, metric)	473	811	1,045	1,150	1,150
Gross power, propeller curve (kW)	166	291	458	674	846
Gross power, propeller curve (hp, metric)	226	395	623	916	1150
Gross torque (Nm)	2,768	3,798	4,078	3,847	3,512
Spec. fuel consumption at full load (g/kWh)	215	204	203	217	225
Spec. fuel consumption, propeller curve (l/h)	41	76	115	178	227
Heat rejection to coolant (kW)	336	522	655	794	837