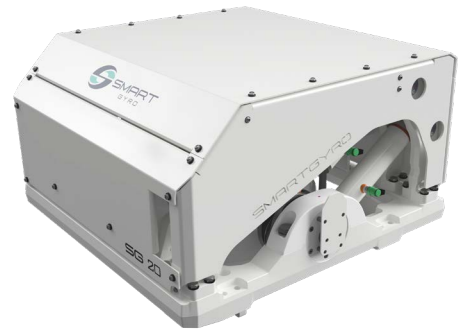


SG20 GYRO STABILIZER

Smartgyro SG20 is the gyro stabilizer of choice for boats from 45-55 ft. Ideal for both new builds and refit installations, the stabilizer can be fully serviced on-board the vessel without the need to lift out for maintenance, ensuring significant time and cost savings.



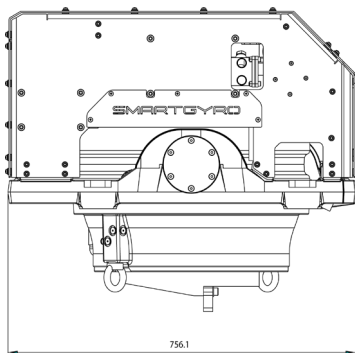
TECHNICAL SPECIFICATIONS

Maximum Rated speed	9.500 RPM	Operating AC power	1.5 - 2.5 kW *
Angular momentum at max. rated speed	5.900 Nms	DC power ("Spool-up" and operating)	150 W (including display)
Anti-rolling torque at max. rated speed	15.500 Nm	Sea water supply	15 (min) - 30 (max) LPM [4 (min) - 8 (max) GPM]
"Spool-up" time to max. rated speed	55 minutes	Operating temperature	0 - 60 °C [32 - 140 °F]
"Spool-up" time to stabilization	25 minutes (55% of rated speed)	Envelope dimensions	0.76 x 0.77 x 0.65 m [29.9 x 30.3x 25.6 in]
Input voltage (AC)	115V nominal 50/60 Hz, single phase 220V nominal 50/60 Hz, single phase	Weight	495 kg [1091 lbs]
Input voltage (DC):	12 Vdc	Noise output	70 - 72 dBC @ 1 meter
"Spool-up" AC power	2.5 - 3.0 kW		

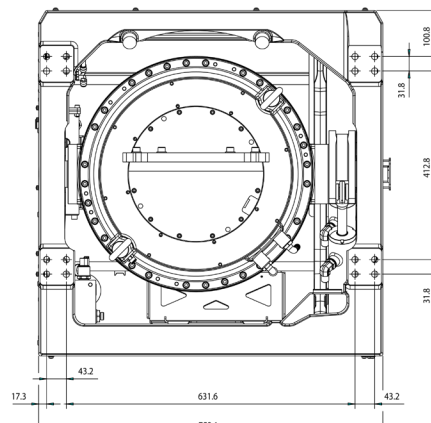
*sea state dependent

NOTE: All data subject to change without notice. Text and illustrations are not binding.

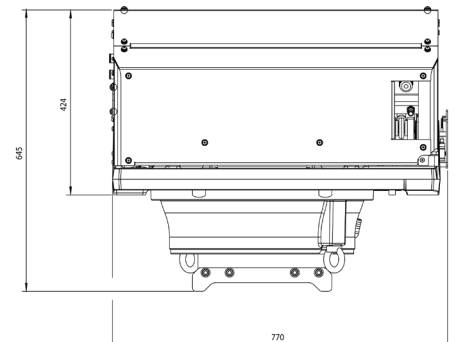
PORT VIEW



TOP VIEW



FRONT VIEW



Dimensions in mm