

# SG150 GYRO STABILIZER

Smartgyro SG150 is the gyro stabilizer of choice for boats from 80-95 ft. Ideal for both new builds and refit installations, the stabilizer can be fully serviced on-board the vessel without the need to lift out for maintenance, ensuring significant time and cost savings.



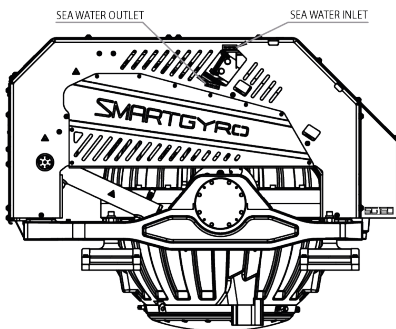
## TECHNICAL SPECIFICATIONS

Maximum Rated speed	5.000 RPM	Operating AC power (*) (**)	3.0 - 5.0 kW
Angular momentum at max. rated speed	37.000 Nms	Control DC power ("spool-up" and operating)	250 W (including display)
Max. Anti-rolling torque at max. rated speed	90.100 Nm	Sea water supply	35 (min) - 55 (max) LPM [9 (min) - 15 (max) GPM]
"Spool-up" time to max. rated speed	80 minutes	Operating temperature	0 - 60 °C [32 - 140 °F]
"Spool-up" time to stabilization	55 minutes (65% of rated speed)	Envelope dimensions	1.36 x 1.41 x 1.02 m [53.5 x 55.5 x 40.1 in]
Input voltage (AC)	380V nominal 50/60 Hz, three phase	Weight	1960 kg [4321 lbs]
Control DC power input	24 Vdc	Noise output	72 - 74 dBC @ 1 meter
Max. "Spool-up" AC power (*)	6.8 kW		

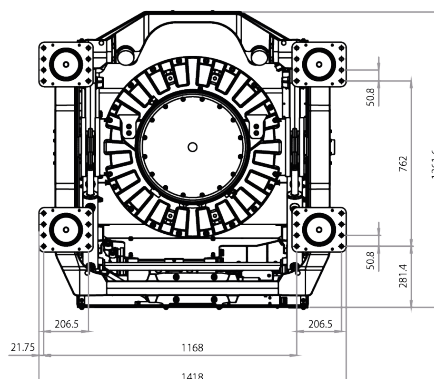
(\*) sea water pump excluded  
(\*\*) sea state dependent

NOTE: All data subject to change without notice. Text and illustrations are not binding.

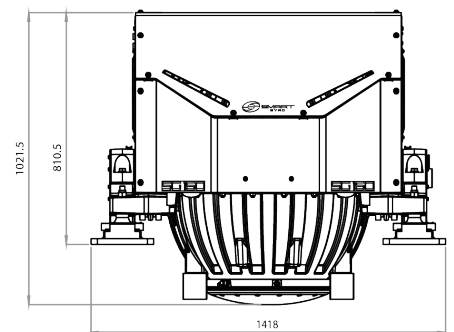
### PORT VIEW



### TOP VIEW



### FRONT VIEW



Dimensions in mm